

Trolleys | Chariots

Trolleys
Chariots

ERC



WELDED

- Stainless steel.
- Manufactured according to the gastronomic size.
- Manufactured with welding system.
- Easy to clean after use.
- 4 swivel casters, 2 with break.
- Suitable for empty and filled trays.



ECHELLE SOUDÉE

- Construction inox.
- Format GN
- Livrée montée et soudée. (Non-démontable par la suite).
- Entretien et nettoyage simple.
- Quatre roues pivotantes, deux avec freins.
- Parfaitement adaptée au transport et au débarrasage de plateaux.



DE-MOUNTED

- Stainless steel.
- Manufactured according to the gastronomic size.
- Easily to demontage / montage by users.
- Easy to clean after use.
- 4 swivel casters, 2 with break.
- Suitable for empty trays.



ECHELLE DÉMONTABLE

- Construction inox.
- Format GN
- Livrée démontée. Montage et démontage très simple.
- Entretien et nettoyage simple.
- Quatre roues pivotantes, deux avec freins.
- Parfaitement adaptée au transport et au débarrasage de plateaux.

Rack Trolley | Echelle à Plateaux

40X60 20 Trays TTK welded | 40X60 20 Niveaux, Soudée

40X60 20 Trays TTD demontage | 40X60 20 Niveaux, Démontée

CODE REFERENCE	TYPE DESIGNATION	L	W/P	H	◇ m ³	PRICE / PRIX PUBLIC HT
7895.46615.00	40x60 demontage	460	610	1780	0.76 m ³	
7895.46615.01	40x60 welded	460	610	1780	0.76 m ³	

Rack Trolley | Echelles

GN 1/1 17 Trays TTK welded | GN 1/1 - 17 Niveaux, Soudée

GN 1/1 17 Trays TTD Demontage | GN 1/1 - 17 Niveaux, Démontée

CODE REFERENCE	TYPE DESIGNATION	L	W/P	H	◇ m ³	PRICE / PRIX PUBLIC HT
7895.40550.00	GN 1/1 demontage	382	550	1660	0.45 m ³	
7895.40550.01	GN 1/1 welded	382	550	1660	0.45 m ³	

Rack Trolley | Echelles

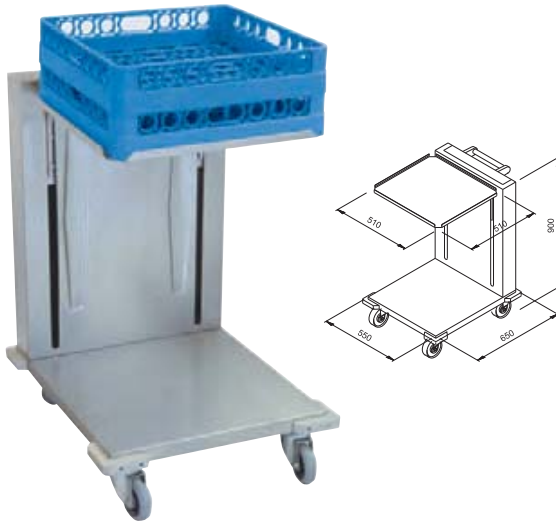
GN 2/1 17 Trays TTK welded | GN 2/1 - 17 Niveaux, Soudée

GN 2/1 17 Trays TTD demontage | GN 2/1 - 17 Niveaux, Démontée

CODE REFERENCE	TYPE DESIGNATION	L	W/P	H	◇ m ³	PRICE / PRIX PUBLIC HT
7895.58660.00	GN 1/1 demontage	590	650	1660	0.76 m ³	
7895.58660.01	GN 1/1 welded	590	650	1660	0.76 m ³	

7959.55659.01

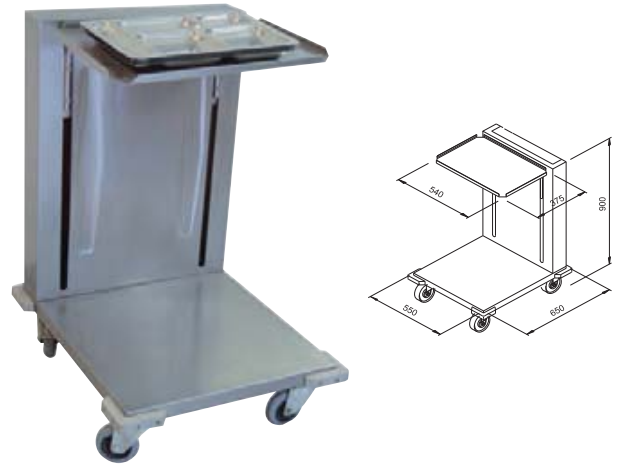
Basket Stacking Trolley
Chariot à Niveau Constant Pour Paniers



CODE REFERENCE	L	W/P	H	m ³	PRICE / PRIX PUBLIC HT
7959.55659.01	550	650	900	0.45 m ³	

7959.55302.02

Tray Stacking Trolley
Chariot à Niveau Constant Pour Plateaux



CODE REFERENCE	L	W/P	H	m ³	PRICE / PRIX PUBLIC HT
7959.55302.02	550	650	900/1300	0.45 m ³	

7959.55659.01

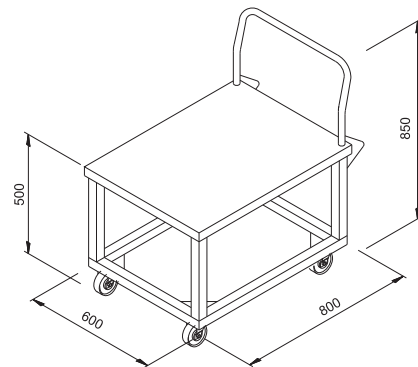
Basket Trolley
Chariot à Panier



CODE REFERENCE	L	W/P	H	m ³	PRICE / PRIX PUBLIC HT
7959.60578.40	600	600	850	0.10 m ³	

7959.55302.02

Pot Carrying Trolley
Chariot Porte Marmite



CODE REFERENCE	L	W/P	H	m ³	PRICE / PRIX PUBLIC HT
7772.06080.01	600	800	850	0.43 m ³	

* Units are made of stainless steel. / Appareils construit en acier inoxydable.

Trolleys | Chariots

7270.10060 .01

Meat Hanger Trolley
Chariot à Carcasses

ERC



CODE REFERENCE	L	W/P	H	m ³	PRICE / PRIX PUBLIC HT
7270.10060.00	1000	600	1750	1.08 m ³	
7270.12060.00	1200	600	1750	1.29 m ³	
7270.14060.00	1400	600	1750	1.51 m ³	
7270.16060.00	1600	600	1750	1.72 m ³	
7270.19060.00	1900	600	1750	2.05 m ³	

Meat hangers are not included. / Crochets à viande non inclus.

7959.10052.80

Plate Trolley
Chariot Porte Assiettes

ERC



CODE REFERENCE	L	W/P	H	m ³	CAPACITY	PRICE / PRIX PUBLIC HT
7959.10052.80	980	500	780	0.44 m ³	150 tabak	

Units are made of stainless steel. / Construction en acier inoxydable

8360.00007.08

Stainless Steel Meat Hanger
Crochet à Viande pour Chariot à Carcasses

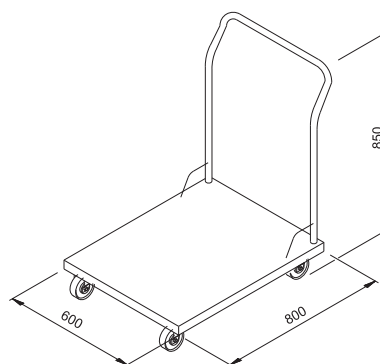


CODE REFERENCE	PRICE / PRIX PUBLIC HT
8360.00007.08	

7772.06080.00

Cargo Carrying Trolley
Chariot

ERC



CODE REFERENCE	L	W/P	H	m ³	PRICE / PRIX PUBLIC HT
7772.06080.00	600	800	850	0.43 m ³	

7959.87579.50

Dirty Dish Trolley
Chariot de Débarassage



CODE REFERENCE	L	W/P	H	m ³	PRICE / PRIX PUBLIC HT
7959.87579.50	800	550	850	0.76 m ³	

0913.00507.01

Service Trolley Two Shelves
Chariot de Service à Deux Niveaux



CODE REFERENCE	L	W/P	H	m ³	PRICE / PRIX PUBLIC HT
0913.00507.01	550	800	850	0.14 m ³	

0913.00508.01

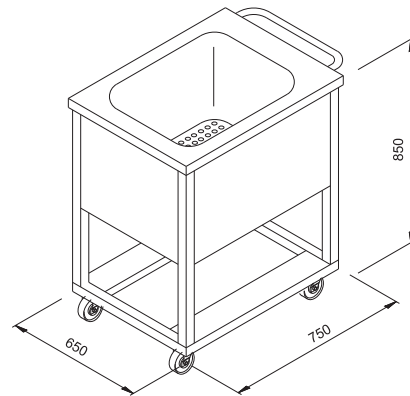
Service Trolley Three Shelves
Chariot de Service à Trois Niveaux



CODE REFERENCE	L	W/P	H	m ³	PRICE / PRIX PUBLIC HT
0913.00508.01	550	800	850	0.14 m ³	

7959.65758.00

Meat and Vegetable Trolley
Chariot à Viande - Chariot à légumes



CODE REFERENCE	L	W/P	H	m ³	PRICE / PRIX PUBLIC HT
7959.65758.00	650	750	850	0.50 m ³	

Flour and Sugar Trolleys | *Chariots à Farine et Chariots à Sucre*

7370.50505.80

Flour and Sugar Trolleys
Chariots à Farine et à Sucre



CODE REFERENCE	L	W/P	H	m ³	PRICE / PRIX PUBLIC HT
7370.50505.80	500	500	610	0.20 m ³	

7370.64436.80

Flour and Sugar Trolleys
Chariots à Farine et à Sucre



CODE REFERENCE	L	W/P	H	m ³	PRICE / PRIX PUBLIC HT
7370.64436.80	450	650	660	0.26 m ³	

8913.IBS27.148

Dry Product Trolley
Chariot à Produits Secs



CODE REFERENCE	L	W/P	H	m ³	PRICE / PRIX PUBLIC HT
8913.IBS27.148	750	420	710	0.102 m ³	

8893.00120.00

Garbage Container
Conteneur à Poubelles



CODE REFERENCE	CAPACITY (lt)	L	W/P	H	PRICE / PRIX PUBLIC HT
8893.00120.00	120	-	-	-	
8893.00240.00	240	-	-	-	
8893.00770.00	770	-	-	-	

8893.00405.00

Waste Bin With Pedal
Poubelle à Pédale



CODE REFERENCE	CAPACITY (lt)	m ³	PRICE / PRIX PUBLIC HT
8893.00405.00	5 lt	0.06 m ³	
8893.00413.00	13 lt	0.15 m ³	
8893.00416.00	16 lt	0.17 m ³	

7959.87579.50

Waste Bin With Pedal
Poubelle à Pédale



CODE REFERENCE	CAPACITY (lt)	m ³	PRICE / PRIX PUBLIC HT
8893.04050.00 Ind. Type/End. Tip	54 lt	0.65 m ³	
8893.04070.00 Ind. Type/End. Tip	78 lt	0.85 m ³	
8893.04090.00 Ind. Type/End. Tip	104 lt	1.10 m ³	

Waste Trolley
Poubelle Inox sur Roulettes

7959.87579.50

Waste Trolley
Poubelle Inox sur Roulettes



CODE REFERENCE	CAPACITY (lt)	Ø	H	m ³	PRICE / PRIX PUBLIC HT
0893.04040.01	50 lt	400	400	0.13 m ³	

* Units are made of stainless steel. / * Construction en acier inoxydable