

Hand Washing Sinks | *Lave-mains*

7759.50393.90

Wall Mounted, Knee Operated Hand Washing Sink
Lave-Main Commande Au Genou



Wall mounted, knee operated hand washing sink
Lave-main commande au genou

CODE REFERENCE	L	W/P	H	WATER INLET CONNECTION	PRICE / PRIX PUBLIC HT
7759.50393.90 with mechanism avec robinetterie	500	390	230	SINGLE / EAU FROIDE	
7759.50393.91 with mechanism avec robinetterie	500	390	230	HOT/COLD EAU CHAUDE- EAU FROIDE	

7759.50393.90

Wall Mounted, Knee Operated Hand Washing Sink
Lave-Main Commande Au Genou



Wall mounted, knee operated hand washing sink
Lave-main commande au genou

CODE REFERENCE	L	W/P	H	WATER INLET CONNECTION	PRICE / PRIX PUBLIC HT
7759.50393.92 without mechanism sans robinetterie	500	390	230	-	

7759.40332.30

Wall Mounted, Knee Operated Hand Washing Sink
Lave-Main Commande Au Genou



Wall mounted, knee operated hand washing sink
Lave-main commande au genou

CODE REFERENCE	L	W/P	H	WATER INLET CONNECTION	PRICE / PRIX PUBLIC HT
7759.40332.31 with mechanism avec robinetterie	400	330	230	SINGLE / EAU FROIDE	
7759.40332.35 with mechanism avec robinetterie	400	330	230	HOT/COLD EAU CHAUDE- EAU FROIDE	

7759.40332.30

Wall Mounted, Knee Operated Hand Washing Sink
Lave-Main Commande Au Genou



Wall mounted, knee operated hand washing sink
Lave-main commande au genou

CODE REFERENCE	L	W/P	H	WATER INLET CONNECTION	PRICE / PRIX PUBLIC HT
7759.40332.30 without mechanism sans robinetterie	400	330	230	-	

7759.50392.90

Wall Mounted Hand Washing Sink
Lave-Main



Wall mounted hand washing sink / Lave-main

CODE REFERENCE	L	W/P	H	WATER INLET CONNECTION	PRICE / PRIX PUBLIC HT
7759.50392.90	500	390	290	SINGLE / EAU FROIDE	

0759.04031.00

Wall Mounted Hand Washing Sink
Lave-Main



Wall mounted hand washing sink / Lave-main

CODE REFERENCE	L	W/P	H	PRICE / PRIX PUBLIC HT
0759.04031.00	400	310	140	

0759.40311.31

Wall Mounted Hand Washing Sink
Lave-Main



ERC

Wall mounted hand washing sink / Lave-main

CODE REFERENCE	L	W/P	H	PRICE / PRIX PUBLIC HT
0759.40311.31	400	310	190	

7759.50709.10

Janitorial Sink Unit (Mop Sink)
Plonge À Balai



Janitorial sink unit (Mop Sink) / Plonge à Balai

CODE REFERENCE	L	W/P	H	WATER INLET CONNECTION	PRICE / PRIX PUBLIC HT
7759.50709.10	500	700	900	SINGLE / EAU FROIDE	

Sink Bowls | Cuve à Souder

0753.35402.10

Rectangular Bowl
Cuve À Souder Rectangulaire



Rectangular bowl / Cuve à souder rectangulaire

CODE REFERENCE	L	W/P	H	PRICE / PRIX PUBLIC HT
0753.35402.10	355	405	190	

0753.03436.08

Rectangular Bowl
Cuve À Souder Rectangulaire



Rectangular bowl / Cuve à souder rectangulaire

CODE REFERENCE	L	W/P	H	PRICE / PRIX PUBLIC HT
0753.03436.08	345	375	140	

0753.40402.10

Rectangular Bowl
Cuve À Souder Rectangulaire



Rectangular bowl / Cuve à souder rectangulaire

CODE REFERENCE	L	W/P	H	PRICE / PRIX PUBLIC HT
0753.40402.10	400	400	250	
0753.40403.10	400	400	300	
0753.45452.10	450	450	250	
0753.45453.10	450	450	300	
0753.40502.10	450	500	250	
0753.40503.10	400	500	300	
0753.45602.10	450	600	250	
0753.45603.10	450	600	300	

Rectangular bowl / Cuve à souder rectangulaire

CODE REFERENCE	L	W/P	H	PRICE / PRIX PUBLIC HT
0753.50502.10	500	500	250	
0753.50503.10	500	500	300	
0753.50602.10	500	600	250	
0753.50603.10	500	600	300	
0753.60602.10	600	600	250	
0753.60603.10	600	600	300	
0753.70702.10	700	700	250	
0753.70703.10	700	700	300	

0753.00023.09

Round Sink Bowl
Cuve À Souder Circulaire



Round sink bowl / Cuve à souder circulaire

CODE REFERENCE	Ø DIAMETRE	PRICE PRIX PUBLIC HT
0753.00023.09	230	
0753.00026.09	260	
0753.00029.09	290	
0753.00038.09	380	

0753.03818.10

Round Sink Bowl
Cuve À Souder Circulaire



Round sink bowl / Cuve à souder circulaire

CODE REFERENCE	Ø DIAMETRE	H	PRICE / PRIX PUBLIC HT
0753.03818.10	380	180	
0753.04018.10	400	180	

0753.01719.07

Vanity Sink
Cuve Vanity



Vanity sink / Cuve vanity

CODE REFERENCE	L	W/P	H	PRICE / PRIX PUBLIC HT
0753.01719.07	4030	480	130	

Sink Tops | Dessus de Plonge

0754.106A0.11

Single Bowl Left Drainer Sink
Dessus De Plonge, Simple Cuve, Égouttoir À Gauche



Single bowl left drainer sink

Dessus de plonge, simple cuve, égouttoir à gauche

	BOWL / CUVE			CODE REFERENCE	EXTERNAL DIM. DIMENSIONS		PRICE / PRIX PUBLIC HT
	L	W/P	H		L	W/P	
A	400	400	250	0754.106A0.11	1000	600	
A	400	400	250	0754.126A0.11	1200	600	
E	500	400	250	0754.146E0.11	1400	600	
C	500	500	300	0754.107C0.11	1000	700	
C	500	500	300	0754.127C0.11	1200	700	
C	500	500	300	0754.147C0.11	1400	700	
D	600	500	300	0754.147D0.11	1400	700	

0754.106A0.15

Single Bowl Right Drainer Sink
Dessus De Plonge, Simple Cuve, Égouttoir À Droite



Single bowl right drainer sink

Dessus de plonge, simple cuve, égouttoir à droite

	BOWL / CUVE			CODE REFERENCE	EXTERNAL DIM. DIMENSIONS		PRICE / PRIX PUBLIC HT
	L	W/P	H		L	W/P	
A	400	400	250	0754.106A0.15	1000	600	
A	400	400	250	0754.126A0.15	1200	600	
E	500	400	250	0754.146E0.15	1400	600	
C	500	500	300	0754.107C0.15	1000	700	
C	500	500	300	0754.127C0.15	1200	700	
C	500	500	300	0754.147C0.15	1400	700	
D	600	500	300	0754.147D0.15	1400	700	

0754.126A0.13

Single Bowl Double Drainer Sink
Dessus De Plonge, Simple Cuve, Double Égouttoir



Single bowl double drainer sink

Dessus de plonge, simple cuve, double égouttoir

	BOWL / CUVE			CODE REFERENCE	EXTERNAL DIM. DIMENSIONS		PRICE / PRIX PUBLIC HT
	L	W/P	H		L	W/P	
A	400	400	250	0754.126A0.13	1200	600	
A	400	400	250	0754.146A0.13	1400	600	
A	400	400	250	0754.166E0.13	1600	600	
C	500	500	300	0754.147C0.13	1400	700	
C	500	500	300	0754.167C0.13	1600	700	

Single bowl sink / Simple cuve

	BOWL / CUVE			CODE REFERENCE	EXTERNAL DIM. DIMENSIONS		PRICE / PRIX PUBLIC HT
	L	W/P	H		L	W/P	
A	400	400	250	0754.056A0.01	500	600	
A	400	400	250	0754.066A0.01	600	600	
E	500	400	250	0754.066E0.01	600	600	
E	500	500	250	0754.076E0.01	700	600	
B	400	500	250	0754.057B0.01	500	700	
B	400	500	250	0754.067B0.01	600	700	
C	500	500	300	0754.067C0.01	600	700	
C	500	500	300	0754.077C0.01	700	700	
D	600	500	300	0754.087D0.01	800	700	

0754.056A0.01

Single Bowl
Simple Cuve



0754.146A0.25

Double Bowl Right Drainer Sink
Dessus De Plonge, Double Cuve, Égouttoir À Droite

ERC



Double bowl right drainer sink

Dessus de plonge, double cuve, égouttoir à droite

	BOWL / CUVE			CODE REFERENCE	EXTERNAL DIM. DIMENSIONS		PRICE / PRIX PUBLIC HT
	L	W/P	H		L	W/P	
A	400	400	250	0754.146A0.25	1400	600	
A	400	400	250	0754.156A0.25	1500	600	
A	400	400	250	0754.166A0.25	1600	600	
E	500	400	250	0754.166E0.25	1600	600	
E	500	400	250	0754.186E0.25	1800	600	
E	500	400	250	0754.196E0.25	1900	600	
E	500	400	250	0754.157B0.25	1500	700	
B	400	500	250	0754.167B0.25	1600	700	
B	400	500	300	0754.167C0.25	1600	700	
C	500	500	300	0754.187C0.25	1800	700	
C	500	500	300	0754.197C0.25	1900	700	
D	600	500	300	0754.197D0.25	1900	700	
C	500	500	300	0754.207C0.25	2000	700	
D	600	500	300	0754.217D0.25	2100	700	

0754.146A0.21

Double Bowl Left Drainer Sink
Dessus De Plonge, Double Cuve, Égouttoir À Gauche

ERC



Double bowl left drainer sink

Dessus de plonge, double cuve, égouttoir à gauche

	BOWL / CUVE			CODE REFERENCE	EXTERNAL DIM. DIMENSIONS		PRICE / PRIX PUBLIC HT
	L	W/P	H		L	W/P	
A	400	400	250	0754.146A0.21	1400	600	
A	400	400	250	0754.156A0.21	1500	600	
A	400	400	250	0754.166A0.21	1600	600	
E	500	400	250	0754.166E0.21	1600	600	
E	500	400	250	0754.186E0.21	1800	600	
E	500	400	250	0754.196E0.21	1900	600	
B	400	500	250	0754.157B0.21	1500	700	
B	400	500	250	0754.167B0.21	1600	700	
C	500	500	300	0754.167C0.21	1600	700	
C	500	500	300	0754.187C0.21	1800	700	
C	500	500	300	0754.197C0.21	1900	700	
D	600	500	300	0754.197D0.21	1900	700	
D	600	500	300	0754.217D0.21	2100	700	

Sink Tops | Dessus de Plonge

0754.126E0.27

Double Bowl Sink
Dessus de Plonge, Double Cuve

ERIC



Double bowl sink / Dessus de plonge, double cuve

	BOWL / CUVE			CODE REFERENCE	EXTERNAL DIM. DIMENSIONS		PRICE / PRIX PUBLIC HT
	L	W/P	H		L	W/P	
E	500	400	250	0754.126E0.27	1200	600	
E	500	400	250	0754.146E0.27	1400	600	
C	500	500	300	0754.127C0.27	1200	700	
C	500	500	300	0754.147C0.27	1400	700	
D	600	500	300	0754.147D0.27	1400	700	

0754.166A0.35

Three Bowls Sink
Dessus de Plonge, Triple Cuve

ERIC



Three bowls sink / Dessus de plonge, triple cuve

	BOWL / CUVE			CODE REFERENCE	EXTERNAL DIM. DIMENSIONS		PRICE / PRIX PUBLIC HT
	L	W/P	H		L	W/P	
A	400	400	250	0754.166A0.35	1600	600	
E	500	400	250	0754.186E0.35	1800	600	
E	500	400	250	0754.196E0.35	1900	600	
C	500	500	300	0754.187C0.35	1800	700	
C	500	500	300	0754.197C0.35	1900	700	

0754.166A0.23

Double Bowl Double Drainer Sink
Dessus de Plonge, Double Cuve, Double Égouttoir

ERIC



Double bowl double drainer sink
Dessus de plonge, double cuve, double égouttoir

	BOWL / CUVE			CODE REFERENCE	EXTERNAL DIM. DIMENSIONS		PRICE / PRIX PUBLIC HT
	L	W/P	H		L	W/P	
A	400	400	250	0754.166A0.23	1600	600	
E	500	400	250	0754.186E0.23	1800	600	
E	500	400	250	0754.196E0.23	1900	600	
E	500	400	250	0754.246E0.23	2400	600	
C	500	500	300	0754.187C0.23	1800	700	
C	500	500	300	0754.197C0.23	1900	700	
C	500	500	300	0754.207C0.23	2000	700	
D	600	500	300	0754.247D0.23	2400	700	

Three bowls left drainer sink*Dessus de plonge, triple cuve, égouttoir à gauche*

	BOWL / CUVE			CODE REFERENCE	EXTERNAL DIM. DIMENSIONS		PRICE / PRIX PUBLIC HT
	L	W/P	H		L	W/P	
E	500	400	250	0754.216E0.31	2100	600	

0754.216E0.31

Three Bowls Left Drainer Sink

Dessus de Plonge, Triple Cuve, Égouttoir À Gauche

ERC

**Three bowls right drainer sink***Dessus de plonge, triple cuve, égouttoir à droite*

	BOWL / CUVE			CODE REFERENCE	EXTERNAL DIM. DIMENSIONS		PRICE / PRIX PUBLIC HT
	L	W/P	H		L	W/P	
C	500	500	300	0754.247C0.33	2400	700	

0754.247C0.33

Three Bowls Right Drainer Sink

Dessus de Plonge, Triple Cuve, Égouttoir À Droite

ERC

**Four bowls sink / Dessus de plonge, quadruple cuve**

	BOWL / CUVE			CODE REFERENCE	EXTERNAL DIM. DIMENSIONS		PRICE / PRIX PUBLIC HT
	L	W/P	H		L	W/P	
A	400	400	250	0754.196A0.41	1900	600	

0754.196A0.41

Four Bowls Sink

Dessus de Plonge, Quadruple Cuve

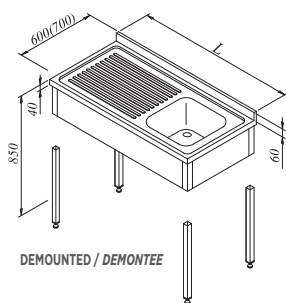
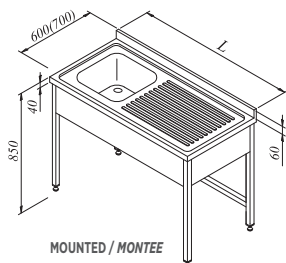
ERC



Sink Units | Plonges

Single Bowl, Single Drainer Sink Unit With Fascia
 Plonge Un Bac, Un Égouttoir Avec Cache Bac

ERC

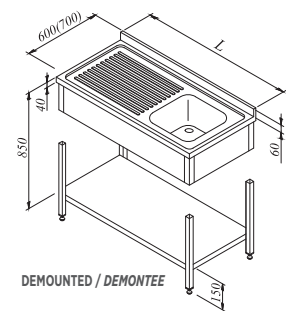
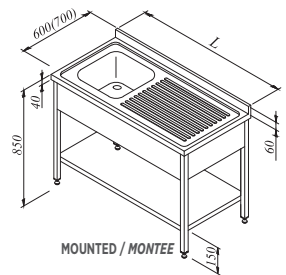


	BOWL / CUVE			LEFT SINGLE DRAINER SIMPLE EGOUTTOIR A GAUCHE	RIGHT SINGLE DRAINER SIMPLE EGOUTTOIR A DROITE	L	W/P	H	VOLUME	PRICE / PRIX PUBLIC HT
	L	W/P	H	CODE REFERENCE	CODE REFERENCE					
A	400	400	250	7758.106A5.11	7758.106A5.15	1000	600	850	0.61 m ³	
A	400	400	250	7758.126A5.11	7758.126A5.15	1200	600	850	0.73 m ³	
E	500	400	250	7758.146E5.11	7758.146E5.15	1400	600	850	0.85 m ³	
C	500	500	300	7758.107C5.11	7758.107C5.15	1000	700	850	0.71 m ³	
C	500	500	300	7758.127C5.11	7758.127C5.15	1200	700	850	0.84 m ³	
C	500	500	300	7758.147C5.11	7758.147C5.15	1400	700	850	0.98 m ³	
D	600	500	300	7758.147D5.11	7758.147D5.15	1400	700	850	0.98 m ³	

	BOWL / CUVE			LEFT SINGLE DRAINER SIMPLE EGOUTTOIR A GAUCHE	RIGHT SINGLE DRAINER SIMPLE EGOUTTOIR A DROITE	L	W/P	H	VOLUME	PRICE / PRIX PUBLIC HT
	L	W/P	H	CODE REFERENCE	CODE REFERENCE					
A	400	400	250	7754.106A5.11	7754.106A5.15	1000	600	850	0.23 m ³	
A	400	400	250	7754.126A5.11	7754.126A5.15	1200	600	850	0.28 m ³	
E	500	400	250	7754.146E5.11	7754.146E5.15	1400	600	850	0.32 m ³	
C	500	500	300	7754.107C5.11	7754.107C5.15	1000	700	850	0.27 m ³	
C	500	500	300	7754.127C5.11	7754.127C5.15	1200	700	850	0.35 m ³	
C	500	500	300	7754.147C5.11	7754.147C5.15	1400	700	850	0.41 m ³	
D	600	500	300	7754.147D5.11	7754.147D5.15	1400	700	850	0.41 m ³	

Single Bowl, Single Drainer Sink Unit With Under Shelf And Fascia
 Plonge Un Bac, Un Égouttoir Avec Cache Bac Et Une Étagère Basse

ERC

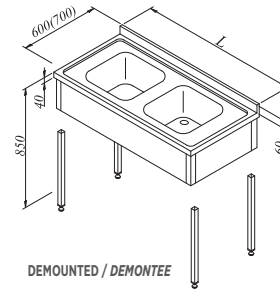
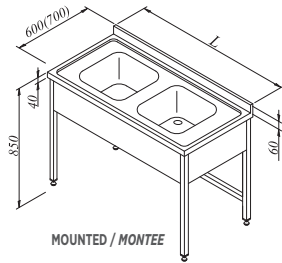


	BOWL / CUVE			LEFT SINGLE DRAINER SIMPLE EGOUTTOIR A GAUCHE	RIGHT SINGLE DRAINER SIMPLE EGOUTTOIR A DROITE	L	W/P	H	VOLUME	PRICE / PRIX PUBLIC HT
	L	W/P	H	CODE REFERENCE	CODE REFERENCE					
A	400	400	250	7758.106A8.11	7758.106A8.15	1000	600	850	0.61 m ³	
A	400	400	250	7758.126A8.11	7758.126A8.15	1200	600	850	0.73 m ³	
E	500	400	250	7758.146E8.11	7758.146E8.15	1400	600	850	0.85 m ³	
C	500	500	300	7758.107C8.11	7758.107C8.15	1000	700	850	0.71 m ³	
C	500	500	300	7758.127C8.11	7758.127C8.15	1200	700	850	0.84 m ³	
C	500	500	300	7758.147C8.11	7758.147C8.15	1400	700	850	0.98 m ³	
D	600	500	300	7758.147D8.11	7758.147D8.15	1400	700	850	0.98 m ³	

	BOWL / CUVE			LEFT SINGLE DRAINER SIMPLE EGOUTTOIR A GAUCHE	RIGHT SINGLE DRAINER SIMPLE EGOUTTOIR A DROITE	L	W/P	H	VOLUME	PRICE / PRIX PUBLIC HT
	L	W/P	H	CODE REFERENCE	CODE REFERENCE					
A	400	400	250	7754.106A8.11	7754.106A8.15	1000	600	850	0.23 m ³	
A	400	400	250	7754.126A8.11	7754.126A8.15	1200	600	850	0.28 m ³	
E	500	400	250	7754.146E8.11	7754.146E8.15	1400	600	850	0.32 m ³	
C	500	500	300	7754.107C8.11	7754.107C8.15	1000	700	850	0.27 m ³	
C	500	500	300	7754.127C8.11	7754.127C8.15	1200	700	850	0.35 m ³	
C	500	500	300	7754.147C8.11	7754.147C8.15	1400	700	850	0.41 m ³	
D	600	500	300	7754.147D8.11	7754.147D8.15	1400	700	850	0.41 m ³	

Double Bowl Sink Unit With Fascia
Plonge Deux Bacs Avec Cache Bac

ERC

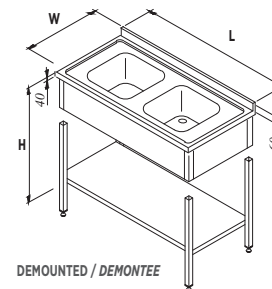
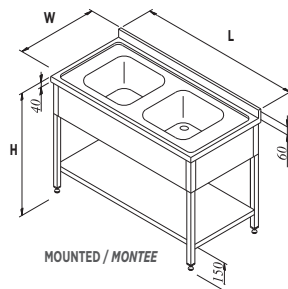


	BOWL / CUVE			CODE REFERENCE	L	W/P	H	VOLUME	PRICE / PRIX PUBLIC HT
	L	W/P	H						
E	500	400	250	7758.126E5.27	1200	600	850	0.73 m ³	
E	500	400	250	7758.146E5.27	1400	600	850	0.85 m ³	
C	500	500	300	7758.127C5.27	1200	700	850	0.84 m ³	
C	500	500	300	7758.147C5.27	1400	700	850	0.98 m ³	
D	600	500	300	7758.147D5.27	1400	700	850	0.98 m ³	

	BOWL / CUVE			CODE REFERENCE	L	W/P	H	VOLUME	PRICE / PRIX PUBLIC HT
	L	W/P	H						
E	500	400	250	7754.126E5.27	1200	600	850	0.28 m ³	
E	500	400	250	7754.146E5.27	1400	600	850	0.32 m ³	
C	500	500	300	7754.127C5.27	1200	700	850	0.35 m ³	
C	500	500	300	7754.147C5.27	1400	700	850	0.41 m ³	
D	600	500	300	7754.147D5.27	1400	700	850	0.41 m ³	

Double Bowl Sink Unit With Under Shelf and Fascia
Plonge Deux Bacs Avec Cache Bac Et Une Étagère Basse

ERC



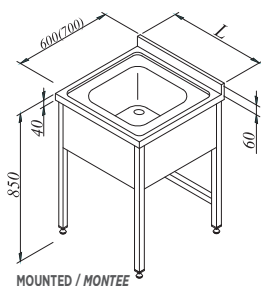
	BOWL / CUVE			CODE REFERENCE	L	W/P	H	VOLUME	PRICE / PRIX PUBLIC HT
	L	W/P	H						
E	500	400	250	7758.126E8.27	1200	600	850	0.73 m ³	
E	500	400	250	7758.146E8.27	1400	600	850	0.85 m ³	
C	500	500	300	7758.127C8.27	1200	700	850	0.84 m ³	
C	500	500	300	7758.147C8.27	1400	700	850	0.98 m ³	
D	600	500	300	7758.147D8.27	1400	700	850	0.98 m ³	

	BOWL / CUVE			CODE REFERENCE	L	W/P	H	VOLUME	PRICE / PRIX PUBLIC HT
	L	W/P	H						
E	500	400	250	7754.126E8.27	1200	600	850	0.28 m ³	
E	500	400	250	7754.146E8.27	1400	600	850	0.32 m ³	
C	500	500	300	7754.127C8.27	1200	700	850	0.35 m ³	
C	500	500	300	7754.147C8.27	1400	700	850	0.41 m ³	
D	600	500	300	7754.147D8.27	1400	700	850	0.41 m ³	

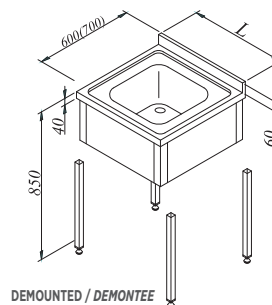
Sink Units | Plonges

Single Bowl Sink Unit With Fascia
Plonge Un Bac Avec Cache Bac

ERC



MOUNTED / MONTEE



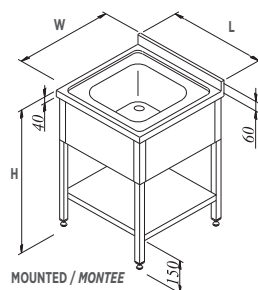
DEMOUNTED / DEMONTEE

	BOWL / CUVE			CODE REFERENCE	L	W/P	H	VOLUME	PRICE / PRIX PUBLIC HT
	L	W/P	H						
A	400	400	250	7758.056A5.01	500	600	850	0.31 m ³	
A	400	400	250	7758.066A5.01	600	600	850	0.37 m ³	
E	500	400	250	7758.066E5.01	600	600	850	0.37 m ³	
E	500	400	250	7758.076E5.01	700	600	850	0.43 m ³	
B	400	500	250	7758.057B5.01	500	700	850	0.36 m ³	
B	400	500	250	7758.067B5.01	600	700	850	0.43 m ³	
C	500	500	300	7758.067C5.01	600	700	850	0.43 m ³	
C	500	500	300	7758.077C5.01	700	700	850	0.5 m ³	
D	600	500	300	7758.077D5.01	700	700	850	0.5 m ³	
D	600	500	300	7758.087D5.01	800	700	850	0.57 m ³	

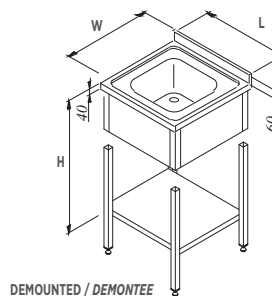
	BOWL / CUVE			CODE REFERENCE	L	W/P	H	VOLUME	PRICE / PRIX PUBLIC HT
	L	W/P	H						
A	400	400	250	7754.056A5.01	500	600	850	0.12 m ³	
A	400	400	250	7754.066A5.01	600	600	850	0.14 m ³	
E	500	400	250	7754.066E5.01	600	600	850	0.14 m ³	
E	500	400	250	7754.076E5.01	700	600	850	0.18 m ³	
B	400	500	250	7754.057B5.01	500	700	850	0.14 m ³	
B	400	500	250	7754.067B5.01	600	700	850	0.18 m ³	
C	500	500	300	7754.067C5.01	600	700	850	0.18 m ³	
C	500	500	300	7754.077C5.01	700	700	850	0.21 m ³	
D	600	500	300	7754.077D5.01	700	700	850	0.21 m ³	
D	600	500	300	7754.087D5.01	800	700	850	0.24 m ³	

Single Bowl Sink Unit With Under Shelf And Fascia
Plonge Un Bac Avec Cache Bac Et Une Étagère Basse

ERC



MOUNTED / MONTEE



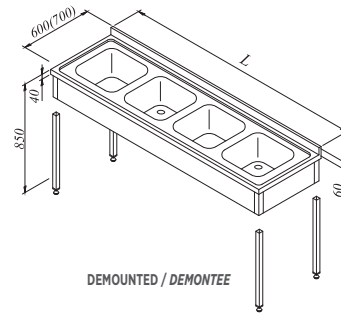
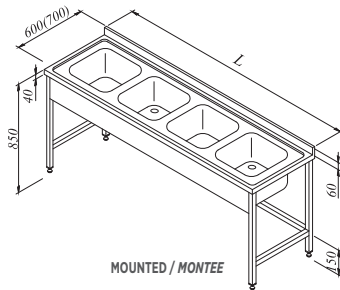
DEMOUNTED / DEMONTEE

	BOWL / CUVE			CODE REFERENCE	L	W/P	H	VOLUME	PRICE / PRIX PUBLIC HT
	L	W/P	H						
A	400	400	250	7758.056A8.01	500	600	850	0.31 m ³	
A	400	400	250	7758.066A8.01	600	600	850	0.37 m ³	
E	500	400	250	7758.066E8.01	600	600	850	0.37 m ³	
E	500	400	250	7758.076E8.01	700	600	850	0.43 m ³	
B	400	500	250	7758.057B8.01	500	700	850	0.36 m ³	
B	400	500	250	7758.067B8.01	600	700	850	0.43 m ³	
C	500	500	300	7758.067C8.01	600	700	850	0.43 m ³	
C	500	500	300	7758.077C8.01	700	700	850	0.5 m ³	
D	600	500	300	7758.077D8.01	700	700	850	0.5 m ³	
D	600	500	300	7758.087D8.01	800	700	850	0.57 m ³	

	BOWL / CUVE			CODE REFERENCE	L	W/P	H	VOLUME	PRICE / PRIX PUBLIC HT
	L	W/P	H						
A	400	400	250	7754.056A8.01	500	600	850	0.12 m ³	
A	400	400	250	7754.066A8.01	600	600	850	0.14 m ³	
E	500	400	250	7754.066E8.01	600	600	850	0.14 m ³	
E	500	400	250	7754.076E8.01	700	600	850	0.18 m ³	
B	400	500	250	7754.057B8.01	500	700	850	0.14 m ³	
B	400	500	250	7754.067B8.01	600	700	850	0.18 m ³	
C	500	500	300	7754.067C8.01	600	700	850	0.18 m ³	
C	500	500	300	7754.077C8.01	700	700	850	0.21 m ³	
D	600	500	300	7754.077D8.01	700	700	850	0.21 m ³	
D	600	500	300	7754.087D8.01	800	700	850	0.24 m ³	

Four Bowls Sink Unit With Fascia
Plonge Quatre Bacs Avec Cache Bac

ERC

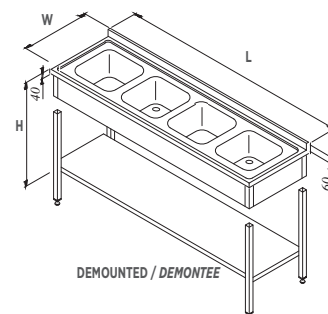
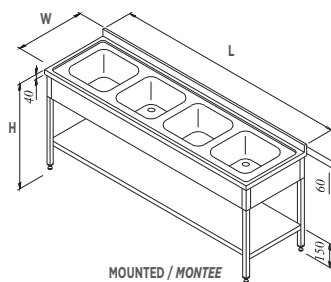


	BOWL / CUVE			CODE REFERENCE	L	W/P	H	VOLUME	PRICE / PRIX PUBLIC HT
	L	W/P	H						
A	400	400	250	7758.196A5.41	1900	600	850	1.14 m ³	
A	400	400	250	7758.216A5.41	2100	600	850	1.25 m ³	
E	500	400	250	7758.246E5.41	2400	600	850	1.44 m ³	

	BOWL / CUVE			CODE REFERENCE	L	W/P	H	VOLUME	PRICE / PRIX PUBLIC HT
	L	W/P	H						
A	400	400	250	7754.196A5.41	1900	600	850	0.44 m ³	
A	400	400	250	7754.216A5.41	2100	600	850	0.48 m ³	
E	500	400	250	7754.246E5.41	2400	600	850	0.55 m ³	

Four Bowls Sink Unit With Under Shelf And Fascia
Plonge Quatre Bacs Avec Cache Bac Et Une Étagère Basse

ERC



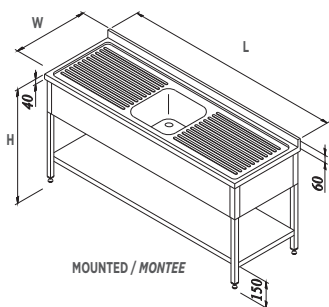
	BOWL / CUVE			CODE REFERENCE	L	W/P	H	VOLUME	PRICE / PRIX PUBLIC HT
	L	W/P	H						
A	400	400	250	7758.196A8.41	1900	600	850	1.14 m ³	
A	400	400	250	7758.216A8.41	2100	600	850	1.25 m ³	
E	500	400	250	7758.246E8.41	2400	600	850	1.44 m ³	

	BOWL / CUVE			CODE REFERENCE	L	W/P	H	VOLUME	PRICE / PRIX PUBLIC HT
	L	W/P	H						
A	400	400	250	7754.196A8.41	1900	600	850	0.44 m ³	
A	400	400	250	7754.216A8.41	2100	600	850	0.48 m ³	
E	500	400	250	7754.246E8.41	2400	600	850	0.55 m ³	

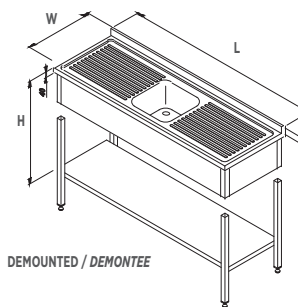
Sink Units | Plonges

Single Bowl, Double Drainer Sink Unit With Under Shelf And Fascia
 Plonge Un Bac, Deux Égouttoirs Avec Cache Bac Et Une Étagère Basse

ERC



MOUNTED / MONTEE



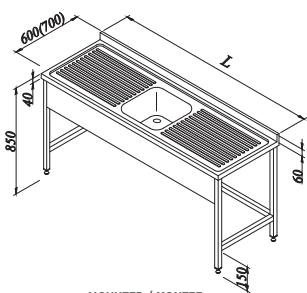
DEMOUNTED / DEMONTEE

	BOWL / CUVE			CODE REFERENCE	L	W/P	H	VOLUME	PRICE PRIX PUBLIC HT
	L	W/P	H						
A	400	400	250	7758.126A8.13	1200	600	850	0.73 m ³	
A	400	400	250	7758.146A8.13	1400	600	850	0.85 m ³	
A	400	400	250	7758.166A8.13	1600	600	850	0.96 m ³	
C	500	500	300	7758.147C8.13	1400	700	850	0.98 m ³	
C	500	500	300	7758.167C8.13	1600	700	850	1.12 m ³	

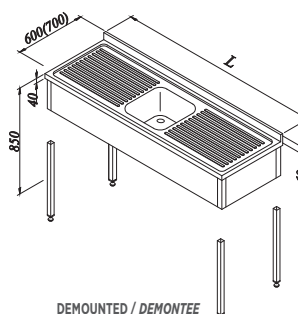
	BOWL / CUVE			CODE REFERENCE	L	W/P	H	VOLUME	PRICE PRIX PUBLIC HT
	L	W/P	H						
A	400	400	250	7754.126A8.13	1200	600	850	0.28 m ³	
A	400	400	250	7754.146A8.13	1400	600	850	0.32 m ³	
A	400	400	250	7754.166A8.13	1600	600	850	0.37 m ³	
C	500	500	300	7754.147C8.13	1400	700	850	0.41 m ³	
C	500	500	300	7754.167C8.13	1600	700	850	0.46 m ³	

Single Bowl, Double Drainer Sink Unit With Fascia
 Plonge Un Bac, Deux Égouttoirs Avec Cache Bac

ERC



MOUNTED / MONTEE



DEMOUNTED / DEMONTEE

	BOWL / CUVE			CODE REFERENCE	L	W/P	H	VOLUME	PRICE PRIX PUBLIC HT
	L	W/P	H						
A	400	400	250	7758.126A5.13	1200	600	850	0.73 m ³	
A	400	400	250	7758.146A5.13	1400	600	850	0.85 m ³	
A	400	400	250	7758.166A5.13	1600	600	850	0.96 m ³	
C	500	500	300	7758.147C5.13	1400	700	850	0.98 m ³	
C	500	500	300	7758.167C5.13	1600	700	850	1.12 m ³	

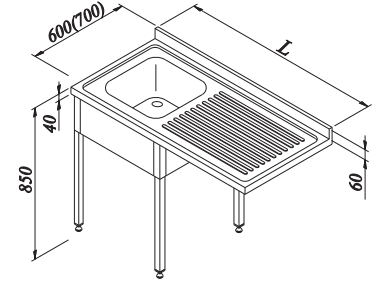
	BOWL / CUVE			CODE REFERENCE	L	W/P	H	VOLUME	PRICE PRIX PUBLIC HT
	L	W/P	H						
A	400	400	250	7754.126A5.13	1200	600	850	0.28 m ³	
A	400	400	250	7754.146A5.13	1400	600	850	0.32 m ³	
A	400	400	250	7754.166A5.13	1600	600	850	0.37 m ³	
C	500	500	300	7754.147C5.13	1400	700	850	0.41 m ³	
C	500	500	300	7754.167C5.13	1600	700	850	0.46 m ³	

Single bowl, Single Drainer Sink Unit For Dishwashing Machine (Square Leg)
Plonge Pour Lave-Vaisselle Un Bac, Un Égouttoir Avec Cache Bac (Pieds Carrés)

ERC

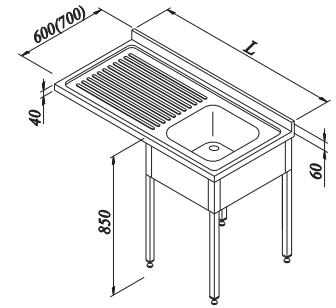
MOUNTED / MONTEE

	BOWL / CUVE			LEFT SINGLE DRAINER SIMPLE EGOUTTOIR A GAUCHE	RIGHT SINGLE DRAINER SIMPLE EGOUTTOIR A DROITE	L	W/P	H	VOLUME	PRICE / PRIX PUBLIC HT
	L	W/P	H	CODE REFERENCE	CODE REFERENCE					
A	400	400	250	7758.126AB.11	7758.126AB.15	1200	600	850	0.73 m ³	
E	500	400	250	7758.146EB.11	7758.146EB.15	1400	600	850	0.85 m ³	
C	500	500	300	7758.127CB.11	7758.127CB.15	1200	700	850	0.84 m ³	
C	500	500	300	7758.147CB.11	7758.147CB.15	1400	700	850	0.98 m ³	



DEMOUNTED / DEMONTEE

	BOWL / CUVE			LEFT SINGLE DRAINER SIMPLE EGOUTTOIR A GAUCHE	RIGHT SINGLE DRAINER SIMPLE EGOUTTOIR A DROITE	L	W/P	H	VOLUME	PRICE / PRIX PUBLIC HT
	L	W/P	H	CODE REFERENCE	CODE REFERENCE					
A	400	400	250	7754.126AB.11	7754.126AB.15	1200	600	850	0.28 m ³	
E	500	400	250	7754.146EB.11	7754.146EB.15	1400	600	850	0.32 m ³	
C	500	500	300	7754.127CB.11	7754.127CB.15	1200	700	850	0.35 m ³	
C	500	500	300	7754.147CB.11	7754.147CB.15	1400	700	850	0.41 m ³	

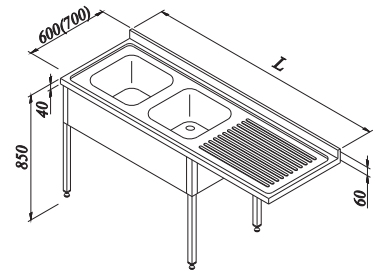


Double Bowl, Single Drainer Sink Unit For Dishwashing Machine (Square Leg)
Plonge Pour Lave-Vaisselle Deux Bacs, Un Égouttoir Avec Cache bac (Pieds Carrés)

ERC

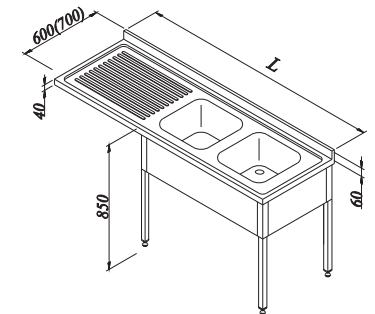
MOUNTED / MONTEE

	BOWL / CUVE			LEFT SINGLE DRAINER SIMPLE EGOUTTOIR A GAUCHE	RIGHT SINGLE DRAINER SIMPLE EGOUTTOIR A DROITE	L	W/P	H	VOLUME	PRICE / PRIX PUBLIC HT
	L	W/P	H	CODE REFERENCE	CODE REFERENCE					
A	400	400	250	7758.166AB.21	7758.166AB.25	1600	600	850	0.96 m ³	
E	500	400	250	7758.186EB.21	7758.186EB.25	1800	600	850	1.08 m ³	
E	500	400	250	7758.196EB.21	7758.196EB.25	1900	600	850	1.14 m ³	
C	500	500	300	7758.187CB.21	7758.187CB.25	1800	700	850	1.25 m ³	
C	500	500	300	7758.197CB.21	7758.197CB.25	1900	700	850	1.32 m ³	
C	500	500	300	7758.207CB.21	7758.207CB.25	2000	700	850	1.39 m ³	



DEMOUNTED / DEMONTEE

	BOWL / CUVE			LEFT SINGLE DRAINER SIMPLE EGOUTTOIR A GAUCHE	RIGHT SINGLE DRAINER SIMPLE EGOUTTOIR A DROITE	L	W/P	H	VOLUME	PRICE / PRIX PUBLIC HT
	L	W/P	H	CODE REFERENCE	CODE REFERENCE					
A	400	400	250	7754.166AB.21	7754.166AB.25	1600	600	850	0.37 m ³	
E	500	400	250	7754.186EB.21	7754.186EB.25	1800	600	850	0.42 m ³	
E	500	400	250	7754.196EB.21	7754.196EB.25	1900	600	850	0.44 m ³	
C	500	500	300	7754.187CB.21	7754.187CB.25	1800	700	850	0.52 m ³	
C	500	500	300	7754.197CB.21	7754.197CB.25	1900	700	850	0.55 m ³	
C	500	500	300	7754.207CB.21	7758.207CB.25	2000	700	850	1.39 m ³	

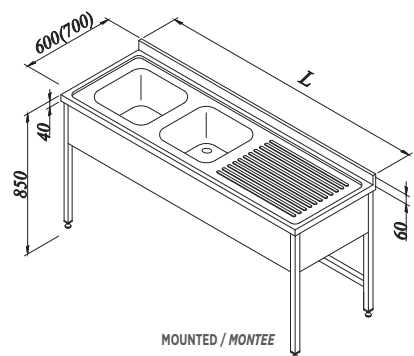


Sink Units | Plonges

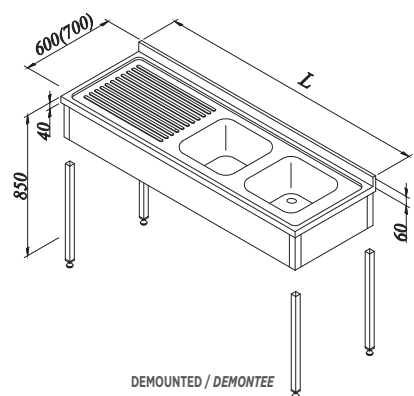
Double Bowl, Single Drainer Sink Unit With Fascia
 Plonge Deux Bacs, Un Égouttoir Avec Cache Bac

ERC

	BOWL / CUVE			LEFT SINGLE DRAINER SIMPLE EGOUTTOIR A GAUCHE	RIGHT SINGLE DRAINER SIMPLE EGOUTTOIR A DROITE	L	W/P	H	VOLUME	PRICE PRIX PUBLIC HT
	L	W/P	H	CODE REFERENCE	CODE REFERENCE					
A	400	400	250	7758.146A5.21	7758.146A5.25	1400	600	850	0.85 m ³	
A	400	400	250	7758.156A5.21	7758.156A5.25	1500	600	850	0.91 m ³	
A	400	400	250	7758.166A5.21	7758.166A5.25	1600	600	850	0.96 m ³	
E	500	400	250	7758.166E5.21	7758.166E5.25	1600	600	850	0.96 m ³	
E	500	400	250	7758.186E5.21	7758.186E5.25	1800	600	850	1.08 m ³	
E	500	400	250	7758.196E5.21	7758.196E5.25	1900	600	850	1.14 m ³	
B	400	500	250	7758.157B5.21	7758.157B5.25	1500	700	850	1.05 m ³	
B	400	500	250	7758.167B5.21	7758.167B5.25	1600	700	850	1.12 m ³	
C	500	500	300	7758.167C5.21	7758.167C5.25	1600	700	850	1.12 m ³	
C	500	500	300	7758.187C5.21	7758.187C5.25	1800	700	850	1.25 m ³	
C	500	500	300	7758.197C5.21	7758.197C5.25	1900	700	850	1.32 m ³	
D	600	500	300	7758.197D5.21	7758.197D5.25	1900	700	850	1.32 m ³	
C	500	500	300	7758.207C5.21	7758.207C5.25	2000	700	850	1.39 m ³	
D	500	500	300	7758.217D5.21	7758.217D5.25	2100	700	850	1.46 m ³	



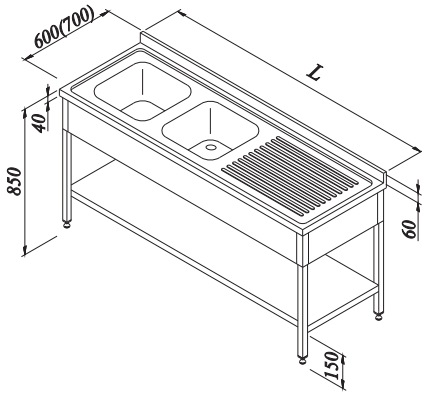
	BOWL / CUVE			LEFT SINGLE DRAINER SIMPLE EGOUTTOIR A GAUCHE	RIGHT SINGLE DRAINER SIMPLE EGOUTTOIR A DROITE	L	W/P	H	VOLUME	PRICE PRIX PUBLIC HT
	L	W/P	H	CODE REFERENCE	CODE REFERENCE					
A	400	400	250	7754.146A5.21	7754.146A5.25	1400	600	850	0.32 m ³	
A	400	400	250	7754.156A5.21	7754.156A5.25	1500	600	850	0.35 m ³	
A	400	400	250	7754.166A5.21	7754.166A5.25	1600	600	850	0.37 m ³	
E	500	400	250	7754.166E5.21	7754.166E5.25	1600	600	850	0.37 m ³	
E	500	400	250	7754.186E5.21	7754.186E5.25	1800	600	850	0.42 m ³	
E	500	400	250	7754.196E5.21	7754.196E5.25	1900	600	850	0.44 m ³	
B	400	500	250	7754.157B5.21	7754.157B5.25	1500	700	850	0.40 m ³	
B	400	500	250	7754.167B5.21	7754.167B5.25	1600	700	850	0.46 m ³	
C	500	500	300	7754.167C5.21	7754.167C5.25	1600	700	850	0.46 m ³	
C	500	500	300	7754.187C5.21	7754.187C5.25	1800	700	850	0.52 m ³	
C	500	500	300	7754.197C5.21	7754.197C5.25	1900	700	850	0.55 m ³	
D	600	500	300	7754.197D5.21	7754.197D5.25	1900	700	850	0.55 m ³	
C	500	500	300	7754.207C5.21	7754.207C5.25	2000	700	850	0.58 m ³	
D	500	500	300	7754.217D5.21	7758.217D5.25	2100	700	850	1.46 m ³	



Double Bowl, Single Drainer Sink Unit With Under Shelf And Fascia
 Plonge Deux Bacs, Un Égouttoir Avec Cache Bac Et Une Étagère basse

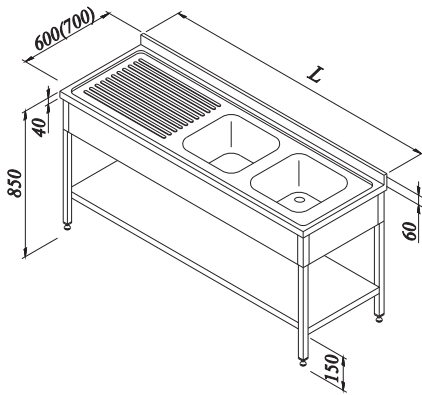
ERC

MOUNTED / MONTEE



	BOWL / CUVE			LEFT SINGLE DRAINER SIMPLE EGOUTTOIR A GAUCHE	RIGHT SINGLE DRAINER SIMPLE EGOUTTOIR A DROITE	L	W/P	H	VOLUME	PRICE PRIX PUBLIC HT
	L	W/P	H	CODE REFERENCE	CODE REFERENCE					
A	400	400	250	7758.146A8.21	7758.146A8.25	1400	600	850	0.85 m ³	
A	400	400	250	7758.156A8.21	7758.156A8.25	1500	600	850	0.91 m ³	
A	400	400	250	7758.166A8.21	7758.166A8.25	1600	600	850	0.96 m ³	
E	500	400	250	7758.166E8.21	7758.166E8.25	1600	600	850	0.96 m ³	
E	500	400	250	7758.186E8.21	7758.186E8.25	1800	600	850	1.08 m ³	
E	500	400	250	7758.196E8.21	7758.196E8.25	1900	600	850	1.14 m ³	
B	400	500	250	7758.157B8.21	7758.157B8.25	1500	700	850	1.05 m ³	
B	400	500	250	7758.167B8.21	7758.167B8.25	1600	700	850	1.12 m ³	
C	500	500	300	7758.167C8.21	7758.167C8.25	1600	700	850	1.12 m ³	
C	500	500	300	7758.187C8.21	7758.187C8.25	1800	700	850	1.25 m ³	
C	500	500	300	7758.197C8.21	7758.197C8.25	1900	700	850	1.32 m ³	
D	600	500	300	7758.197D8.21	7758.197D8.25	1900	700	850	1.32 m ³	
C	500	500	300	7758.207C8.21	7758.207C8.25	2000	700	850	1.39 m ³	
D	500	500	300	7758.217D8.21	7758.217D8.25	2100	700	850	1.46 m ³	

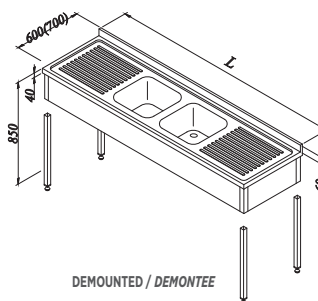
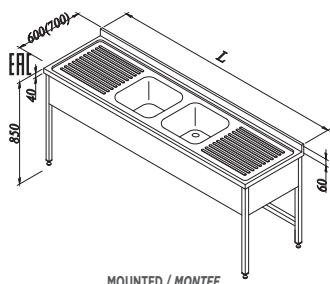
DEMOUNTED / DEMONTEE



	BOWL / CUVE			LEFT SINGLE DRAINER SIMPLE EGOUTTOIR A GAUCHE	RIGHT SINGLE DRAINER SIMPLE EGOUTTOIR A DROITE	L	W/P	H	VOLUME	PRICE PRIX PUBLIC HT
	L	W/P	H	CODE REFERENCE	CODE REFERENCE					
A	400	400	250	7754.146A8.21	7754.146A8.25	1400	600	850	0.32 m ³	
A	400	400	250	7754.156A8.21	7754.156A8.25	1500	600	850	0.35 m ³	
A	400	400	250	7754.166A8.21	7754.166A8.25	1600	600	850	0.37 m ³	
E	500	400	250	7754.166E8.21	7754.166E8.25	1600	600	850	0.37 m ³	
E	500	400	250	7754.186E8.21	7754.186E8.25	1800	600	850	0.42 m ³	
E	500	400	250	7754.196E8.21	7754.196E8.25	1900	600	850	0.44 m ³	
B	400	500	250	7754.157B8.21	7754.157B8.25	1500	700	850	0.40 m ³	
B	400	500	250	7754.167B8.21	7754.167B8.25	1600	700	850	0.46 m ³	
C	500	500	300	7754.167C8.21	7754.167C8.25	1600	700	850	0.46 m ³	
C	500	500	300	7754.187C8.21	7754.187C8.25	1800	700	850	0.52 m ³	
C	500	500	300	7754.197C8.21	7754.197C8.25	1900	700	850	0.55 m ³	
D	600	500	300	7754.197D8.21	7754.197D8.25	1900	700	850	0.55 m ³	
C	500	500	300	7754.207C8.21	7754.207C8.25	2000	700	850	0.58 m ³	
D	500	500	300	7754.217D8.21	7754.217D8.25	2100	700	850	0.61 m ³	

Sink Units | Plonges

Double Bowl, Double Drainer Sink Unit Wwith Fascia
 Plonge Deux Bacs, Deux Égouttoirs Avec Cache Bac

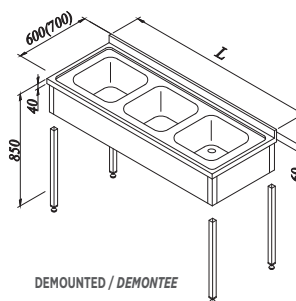
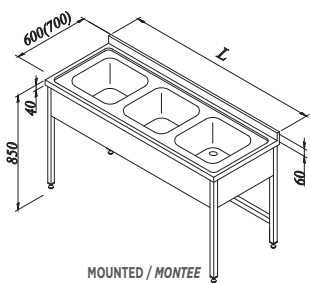


	BOWL / CUVE			CODE REFERENCE	L	W/P	H	VOLUME	PRICE / PRIX PUBLIC HT	
	L	W/P	H							
A	400	400	250	7758.166A5.23	1600	600	850	0.96 m ³		4 legs / 4 pieds
E	500	400	250	7758.186E5.23	1800	600	850	1.08 m ³		4 legs / 4 pieds
E	500	400	250	7758.196E5.23	1900	600	850	1.14 m ³		4 legs / 4 pieds
E	500	400	250	7758.216E5.23	2100	600	850	1.24 m ³		6 legs / 6 pieds
E	500	400	250	7758.246E5.23	2400	600	850	1.44 m ³		6 legs / 6 pieds
C	500	500	300	7758.187C5.23	1800	700	850	1.25 m ³		4 legs / 4 pieds
C	500	500	300	7758.197C5.23	1900	700	850	1.32 m ³		4 legs / 4 pieds
C	500	500	300	7758.207C5.23	2100	700	850	1.39 m ³		4 legs / 4 pieds
D	600	500	300	7758.247D5.23	2400	700	850	1.67 m ³		6 legs / 6 pieds

	BOWL / CUVE			CODE REFERENCE	L	W/P	H	VOLUME	PRICE / PRIX PUBLIC HT	
	L	W/P	H							
A	400	400	250	7754.166A5.23	1600	600	850	0.37 m ³		4 legs / 4 pieds
E	500	400	250	7754.186E5.23	1800	600	850	0.42 m ³		4 legs / 4 pieds
E	500	400	250	7754.196E5.23	1900	600	850	0.44 m ³		4 legs / 4 pieds
E	500	400	250	7754.216E5.23	2100	600	850	0.48 m ³		6 legs / 6 pieds
E	500	400	250	7754.246E5.23	2400	600	850	0.52 m ³		6 legs / 6 pieds
C	500	500	300	7754.187C5.23	1800	700	850	0.52 m ³		4 legs / 4 pieds
C	500	500	300	7754.197C5.23	1900	700	850	0.55 m ³		4 legs / 4 pieds
C	500	500	300	7754.207C5.23	2100	700	850	0.58 m ³		4 legs / 4 pieds
D	600	500	300	7754.247D5.23	2400	700	850	0.69 m ³		6 legs / 6 pieds

Three Bowls Sinks With Fascia
 Plonge Trois Bacs Avec Cache Bac

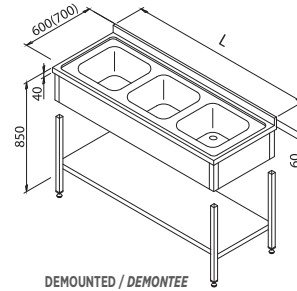
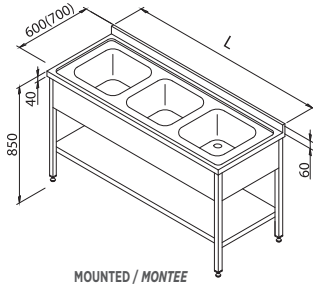
ERIC



	BOWL / CUVE			CODE REFERENCE	L	W/P	H	VOLUME	PRICE / PRIX PUBLIC HT	
	L	W/P	H							
A	400	400	250	7758.166A5.35	1600	600	850	0.96 m ³		
E	500	400	250	7758.186E5.35	1800	600	850	1.08 m ³		
E	500	400	250	7758.196E5.35	1900	600	850	1.14 m ³		
C	500	500	300	7758.187C5.35	1800	700	850	1.25 m ³		
C	500	500	300	7758.197C5.35	1900	700	850	1.32 m ³		

	BOWL / CUVE			CODE REFERENCE	L	W/P	H	VOLUME	PRICE / PRIX PUBLIC HT	
	L	W/P	H							
A	400	400	250	7754.166A5.35	1600	600	850	0.37 m ³		
E	500	400	250	7754.186E5.35	1800	600	850	0.42 m ³		
E	500	400	250	7754.196E5.35	1900	600	850	0.44 m ³		
C	500	500	300	7754.187C5.35	1800	700	850	0.52 m ³		
C	500	500	300	7754.197C5.35	1900	700	850	0.55 m ³		

Three Bowls Sink Unit With Under Shelf And Fascia
Plonge Trois Bacs Avec Cache Bac Et Une Étagère Basse



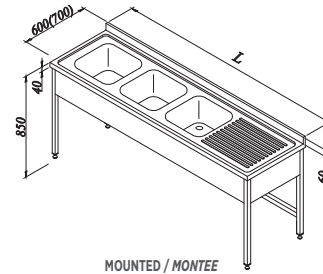
	BOWL / CUVE			CODE REFERENCE	L	W/P	H	VOLUME	PRICE PRIX PUBLIC HT
	L	W/P	H						
A	400	400	250	7758.166A8.35	1600	600	850	0.96 m ³	
E	500	400	250	7758.186E8.35	1800	600	850	1.08 m ³	
E	500	400	250	7758.196E8.35	1900	600	850	1.14 m ³	
C	500	500	300	7758.187C8.35	1800	700	850	1.25 m ³	
C	500	500	300	7758.197C8.35	1900	700	850	1.32 m ³	

	BOWL / CUVE			CODE REFERENCE	L	W/P	H	VOLUME	PRICE PRIX PUBLIC HT
	L	W/P	H						
A	400	400	250	7754.166A8.35	1600	600	850	0.37 m ³	
E	500	400	250	7754.186E8.35	1800	600	850	0.42 m ³	
E	500	400	250	7754.196E8.35	1900	600	850	0.44 m ³	
C	500	500	300	7754.187C8.35	1800	700	850	0.52 m ³	
C	500	500	300	7754.197C8.35	1900	700	850	0.55 m ³	

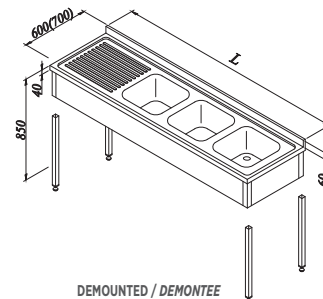
Three Bowls, Single Drainer Sink Unit With Fascia
Plonge Trois Bacs, Un Égouttoir Avec Cache Bac



	BOWL / CUVE			LEFT SINGLE DRAINER SIMPLE EGOUTTOIR A GAUCHE	RIGHT SINGLE DRAINER SIMPLE EGOUTTOIR A DROITE	L	W/P	H	VOLUME	PRICE PRIX PUBLIC HT
	L	W/P	H	CODE REFERENCE	CODE REFERENCE					
A	400	400	250	7758.196A5.31	7758.196A5.33	1900	600	850	1.14 m ³	
E	500	400	250	7758.216E5.31	7758.216E5.33	2100	600	850	1.25 m ³	
E	500	400	250	7758.246E5.31	7758.246E5.33	2400	600	850	1.44 m ³	
C	500	500	300	7758.247C5.31	7758.247C5.33	2400	700	850	1.67 m ³	



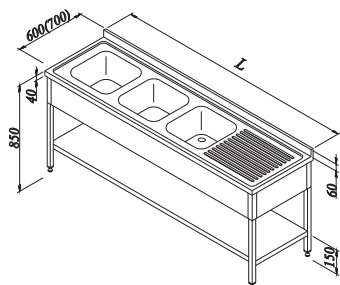
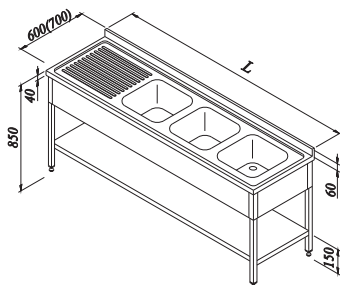
	BOWL / CUVE			LEFT SINGLE DRAINER SIMPLE EGOUTTOIR A GAUCHE	RIGHT SINGLE DRAINER SIMPLE EGOUTTOIR A DROITE	L	W/P	H	VOLUME	PRICE PRIX PUBLIC HT
	L	W/P	H	CODE REFERENCE	CODE REFERENCE					
A	400	400	250	7754.196A5.31	7754.196A5.33	1900	600	850	0.44 m ³	
E	500	400	250	7754.216E5.31	7754.216E5.33	2100	600	850	0.48 m ³	
E	500	400	250	7754.246E5.31	7754.246E5.33	2400	600	850	0.55 m ³	
C	500	500	300	7754.247C5.31	7754.247C5.33	2400	700	850	0.69 m ³	



Sink Units | Plonges

Three Bowls, Single Drainer Sink Unit With Under Shelf And Fascia
 Plonge Trois Bacs, Un Égouttoir Avec Cache Bac Et Une Étagère Basse

ERC



MOUNTED / MONTEE

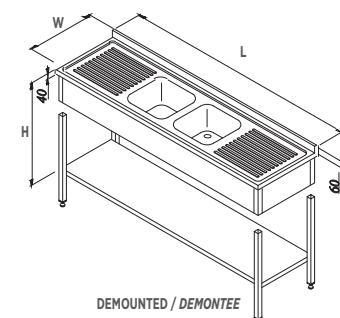
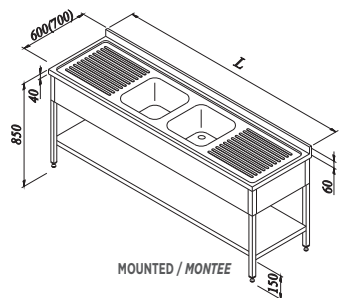
BOWL / CUVE	LEFT SINGLE DRAINER SIMPLE EGOUTTOIR A GAUCHE		RIGHT SINGLE DRAINER SIMPLE EGOUTTOIR A DROITE		L	W/P	H	VOLUME	PRICE / PRIX PUBLIC HT	
	L	W/P	H	CODE REFERENCE						CODE REFERENCE
A	400	400	250	7758.196A8.31	7758.196A8.33	1900	600	850	1.14 m ³	
E	500	400	250	7758.216E8.31	7758.216E8.33	2100	600	850	1.25 m ³	
E	500	400	250	7758.246E8.31	7758.246E8.33	2400	600	850	1.44 m ³	
C	500	500	300	7758.247C8.31	7758.247C8.33	2400	700	850	1.67 m ³	

DEMOUNTED / DEMONTEE

BOWL / CUVE	LEFT SINGLE DRAINER SIMPLE EGOUTTOIR A GAUCHE		RIGHT SINGLE DRAINER SIMPLE EGOUTTOIR A DROITE		L	W/P	H	VOLUME	PRICE / PRIX PUBLIC HT	
	L	W/P	H	CODE REFERENCE						CODE REFERENCE
A	400	400	250	7754.196A8.31	7754.196A8.33	1900	600	850	0.44 m ³	
E	500	400	250	7754.216E8.31	7754.216E8.33	2100	600	850	0.48 m ³	
E	500	400	250	7754.246E8.31	7754.246E8.33	2400	600	850	0.55 m ³	
C	500	500	300	7754.247C8.31	7754.247C8.33	2400	700	850	0.69 m ³	

Double Bowl, Double Drainer Sink Unit With Under Shelf And Fascia
 Plonge Deux Bacs, Deux Égouttoirs Avec Cache Bac Et Une Étagère Basse

ERC



BOWL / CUVE	CODE REFERENCE			L	W/P	H	VOLUME	PRICE / PRIX PUBLIC HT	
	L	W/P	H						
A	400	400	250	7758.166A8.23	1600	600	850	0.96 m ³	4 legs / 4 pieds
E	500	400	250	7758.186E8.23	1800	600	850	1.08 m ³	4 legs / 4 pieds
E	500	400	250	7758.196E8.23	1900	600	850	1.14 m ³	4 legs / 4 pieds
E	500	400	250	7758.216E8.23	2100	600	850	1.24 m ³	6 legs / 6 pieds
E	500	400	250	7758.246E8.23	2400	600	850	1.44 m ³	6 legs / 6 pieds
C	500	500	300	7758.187C8.23	1800	700	850	1.25 m ³	4 legs / 4 pieds
C	500	500	300	7758.197C8.23	1900	700	850	1.32 m ³	4 legs / 4 pieds
C	500	500	300	7758.207C8.23	2100	700	850	1.39 m ³	4 legs / 4 pieds
D	600	500	300	7758.247D8.23	2400	700	850	1.67 m ³	6 legs / 6 pieds

BOWL / CUVE	CODE REFERENCE			L	W/P	H	VOLUME	PRICE / PRIX PUBLIC HT	
	L	W/P	H						
A	400	400	250	7754.166A8.23	1600	600	850	0.37 m ³	4 legs / 4 pieds
E	500	400	250	7754.186E8.23	1800	600	850	0.42 m ³	4 legs / 4 pieds
E	500	400	250	7754.196E8.23	1900	600	850	0.44 m ³	4 legs / 4 pieds
E	500	400	250	7754.216E8.23	2100	600	850	0.48 m ³	6 legs / 6 pieds
E	500	400	250	7754.246E8.23	2400	600	850	0.55 m ³	6 legs / 6 pieds
C	500	500	300	7754.187C8.23	1800	700	850	0.52 m ³	4 legs / 4 pieds
C	500	500	300	7754.197C8.23	1900	700	850	0.55 m ³	4 legs / 4 pieds
C	500	500	300	7754.207C8.23	2100	700	850	0.58 m ³	4 legs / 4 pieds
D	600	500	300	7754.247D8.23	2400	700	850	0.69 m ³	6 legs / 6 pieds