



Hot Serving Counter With GN 1/1 Cells

HOT

for electric model

Hot serving counters

CODE	MODEL	L	W	H	POWER	MAX. CAPACITY	m ³	PRICE
7912.12070.02	Gas/Ventil	1200	700	850	4 kW	3xGN 1/1-150	1 m ³	
7912.15070.02	Gas/Ventil	1500	700	850	4 kW	4xGN 1/1-150	1.23 m ³	STANDART
7912.19070.02	Gas/Ventil	1900	700	850	2x4=8 kW	5xGN 1/1-150	1.54 m ³	
7912.24070.02	Gas/Ventil	2400	700	850	2x4=8 kW	6xGN 1/1-150	1.93 m ³	3xGN1/1-150+3xGN1/1-150

CE CE-1783

CODE	MODEL	L	W	H	POWER	TEMP.	VOL.	MAX. CAPACITY	m ³	PRICE
7912.12070.00	ELEC	1200	700	850	2.6 kW	30-90°C	220-240V/50Hz.	3xGN 1/1-150	1 m ³	
7912.15070.00	ELEC	1500	700	850	2.6 kW	30-90°C	220-240V/50Hz.	4xGN 1/1-150	1.23 m ³	STANDART
7912.19070.00	ELEC	1900	700	850	3.9 kW	30-90°C	220-240V/50Hz.	5xGN 1/1-150	1.54 m ³	
7912.24070.00	ELEC	2400	700	850	5.2kW Trifaze	30-90°C	400V/50Hz.	6xGN 1/1-150	1.93 m ³	3xGN1/1-150+3xGN1/1-150

!GN containers are ordered separately



Neutral Serving Counter With Under Shelf Without Door

NEUTRAL

Neutral serving counter

CODE	MODEL	L	W	H	m ³	PRICE
7911.12070.80	Neutral	1200	700	850	1 m ³	
7911.14070.80	Neutral	1500	700	850	1.23 m ³	
7911.16070.80	Neutral	1900	700	850	1.54 m ³	
7911.19070.80	Neutral	2400	700	850	1.93 m ³	



Hot Serving Counter With GN 1/1 Cells, Hot Cupboard



Hot serving counters with hot cupboard

CODE / KOD	MODEL	L	W	H	POWER	MAX. CAPACITY	TEMP.	VOL.	⬠ m³	PRICE
7912.12070.10	ELEC	1200	700	850	4.1 kW Trifaze	3xGN 1/1-150	30-90°C	400V/50Hz.	1 m³	STANDART
7912.15070.10	ELEC	1500	700	850	5.6 kW Trifaze	4xGN 1/1-150	30-90°C	400V/50Hz.	1.23 m³	
7912.19070.10	ELEC	1900	700	850	6.9 kW Trifaze	5xGN 1/1-150	30-90°C	400V/50Hz.	1.54 m³	
7912.24070.10	ELEC	2400	700	850	8.2 kW Trifaze	6xGN 1/1-150	30-90°C	400V/50Hz.	1.93 m³	

!GN containers are ordered seperately



Cold Serving Counter



Cold serving counter

CODE	COLD UNIT TYPE	MODEL	L	W	H	POWER	MAX. CAPACITY	REFRIGERATION TEMP.	VOL.	⬠ m³	PRICE
7919.27NTV.24	TAG 270 NTV	ELEC	1420	700	850	0.57 Kw	4xGN 1/1-150	+2 / +5 °C	220 V	1.17 m³	
7919.37NTV.24	TAG 370 NTV	ELEC	1880	700	850	0.88 Kw	5xGN 1/1-150	+2 / +5 °C	220 V	1.53 m³	

NTV: Vantilated refrigeration at regular temperature.

Ambient temperature:+32.2 C°

Relative humidity: %65



Angled, Neutral Serving Counter Without Door



Neutral serving counter

CODE / KOD	MODEL	L	W	H	⬠ m³	PRICE
7912.15078.30	Neutral	1500	700	850	2.26 m³	



Cutlery counter

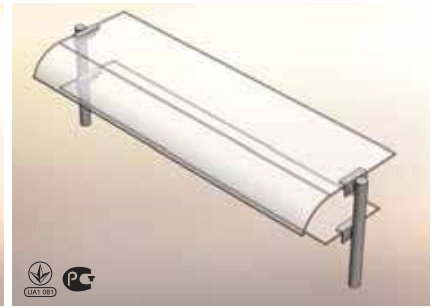
CODE	MODEL	L	W	H	◇ m ³	PRICE
7912.07070.50	Neutral	700	700	850/1380	0.94m ³	
7912.08070.50	Neutral	800	700	850/1380	1.06m ³	
7912.10070.50	Neutral	1000	700	850/1380	1.3m ³	

GN containers are ordered separately.



Curved glass serving shelf

CODE	MODEL	L	W	H	◇ m ³	PRICE
7897.12030.03	Neutral	1200	300	530	0.13m ³	
7897.14030.03	Neutral	1400	300	530	0.14m ³	
7897.15030.03	Neutral	1500	300	530	0.16m ³	
7897.16030.03	Neutral	1600	300	530	0.17m ³	
7897.19030.03	Neutral	1900	300	530	0.19m ³	
7897.24030.03	Neutral	2400	300	530	0.21m ³	



Double curved glass serving shelf

CODE	MODEL	L	W	H	◇ m ³	PRICE
7897.12030.04	Neutral	1200	300	620	0.18m ³	
7897.14030.04	Neutral	1400	300	620	0.22m ³	
7897.15030.04	Neutral	1500	300	620	0.23m ³	
7897.16030.04	Neutral	1600	300	620	0.25m ³	
7897.19030.04	Neutral	1900	300	620	0.29m ³	
7897.24030.04	Neutral	2400	300	620	0.36m ³	



Serving shelf

CODE	MODEL	L	W	H	◇ m ³	PRICE
7897.12030.08	Neutral	1200	300	750	0.13 m ³	
7897.14030.08	Neutral	1400	300	750	0.14 m ³	
7897.15030.08	Neutral	1500	300	750	0.16 m ³	
7897.16030.08	Neutral	1600	300	750	0.17 m ³	
7897.19030.08	Neutral	1900	300	750	0.19 m ³	
7897.24030.08	Neutral	2400	300	750	0.21 m ³	



Single Upper Shelf

CODE	MODEL	L	W	H	◇ m ³	PRICE
7897.12030.02	Neutral	1200	300	450	0.33 m ³	
7897.14030.02	Neutral	1400	300	450	0.38 m ³	
7897.15030.02	Neutral	1500	300	450	0.41 m ³	
7897.16030.02	Neutral	1600	300	450	0.43 m ³	
7897.19030.02	Neutral	1900	300	450	0.50 m ³	
7897.24030.02	Neutral	2400	300	450	0.64 m ³	

Tray Sliding Shelf



CODE	MODEL	L	W	◇ m ³	PRICE
7897.12030.05	Neutral	1200	300	0.08 m ³	
7897.14030.05	Neutral	1400	300	0.10 m ³	
7897.15030.05	Neutral	1500	300	0.11 m ³	
7897.16030.05	Neutral	1600	300	0.12 m ³	
7897.19030.05	Neutral	1900	300	0.14 m ³	
7897.24030.05	Neutral	2400	300	0.17 m ³	



Wooden Decorated Hot Serving Counter With GN Sized Cells



Wooden decorated hot serving counter with GN sized cells

CODE	MODEL	L	W	H	POWER	MAX.CAPACITY	m ³	PRICE
7912.12070.A2	Gas/Vertil	1200	700	850/1600	4 kW	3xGN 1/1-150	1.50 m ³	STANDART
7912.15070.A2	Gas/Vertil	1500	700	850/1600	4 kW	4xGN 1/1-150	1.85 m ³	
7912.19070.A2	Gas/Vertil	1900	700	850/1600	2x4=8 kW	5xGN 1/1-150	2.3 m ³	
7912.24070.A2	Gas/Vertil	2400	700	850/1600	2x4=8 kW	6xGN 1/1-150	2.9 m ³	

CODE	MODEL	L	W	H	POWER	TEMP.	VOL.	MAX.CAPACITY	m ³	PRICE
7912.12070.A0	ELEC	1200	700	850/1600	2.6 kW	30-90 °C	220-240V./50Hz.	3xGN 1/1-150	1.50 m ³	STANDART
7912.15070.A0	ELEC	1500	700	850/1600	3.9 kW	30-90 °C	220-240V./50Hz.	4xGN 1/1-150	1.85 m ³	
7912.19070.A0	ELEC	1900	700	850/1600	3.9 kW	30-90 °C	220-240V./50Hz.	5xGN 1/1-150	2.3 m ³	
7912.24070.A0	ELEC	2400	700	850/1600	5.2 kW	30-90 °C	400V./50Hz.	6xGN 1/1-150	2.9 m ³	

!GN containers are ordered separately



Wooden Decorated Neutral Serving Counter



Wooden decorated Neutral serving counters

CODE	MODEL	L	W	H	m ³	PRICE
7912.12078.A8	Neutral	1200	700	850/1600	1.73 m ³	
7912.14078.A8	Neutral	1400	700	850/1600	2.15 m ³	
7912.16078.A8	Neutral	1600	700	850/1600	2.7 m ³	
7912.19078.A8	Neutral	1900	700	850/1600	3.4 m ³	

!GN containers are ordered separately



Wooden Decorated Hot Serving Counter With GN Sized Cells With Hot Cupboard

HOT
 CE UAT80 PG RNS

CODE	MODEL	L	W	H	POWER	TEMP.	VOL.	MAX.CAPACITY	m ³	PRICE
7912.12070.A1	ELEC	1200	700	850/1600	4.1 kW Trifaze	30-90 °C	400V./50Hz.	3xGN 1/1-150	1.50 m ³	STANDART
7912.15070.A1	ELEC	1500	700	850/1600	5.4 kW Trifaze	30-90 °C	400V./50Hz.	4xGN 1/1-150	1.85 m ³	
7912.19070.A1	ELEC	1900	700	850/1600	8.2 kW Trifaze	30-90 °C	400V./50Hz.	5xGN 1/1-150	2.3 m ³	
7912.24070.A1	ELEC	2400	700	850/1600	8.2 kW Trifaze	30-90 °C	400V./50Hz.	6xGN 1/1-150	2.9 m ³	

!GN containers are ordered separately



Angled, Wooden Decorated Neutral Serving Counter

NEUTRAL
 UAT80 PG

CODE	MODEL	L	W	H	m ³	PRICE
7912.15078.30A	Neutral	1500	700	850	2.26 m ³	



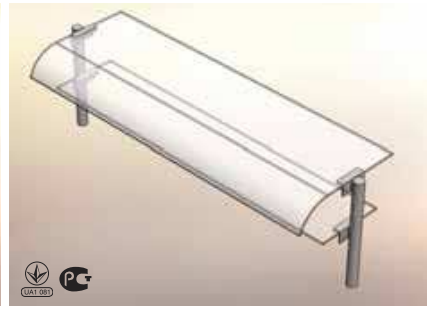
Wooden Decorated Cold Serving Counter With GN Sized Cells

COLD
 CE UAT80 PG RNS

CODE	COLD UNIT TYPE	MODEL	L	W	H	POWER	REFRIGERATION TEMP.	VOL.	MAX. CAPACITY	m ³	PRICE
7919.27NTV.A4	TAG 270 NTV	ELEC	1420	700	850	0.57kW	+2 / +5	220V. / 50Hz.	4xGN 1/1-100	1.75 m ³	
7919.37NTV.A4	TAG 370 NTV	ELEC	1880	700	850	0.88kW	+2 / +5	220V. / 50Hz.	4xGN 1/1-100	2.59 m ³	

NTV: Air ventilated refrigeration at regular temperature.

Ambient temperature: +32.2 C° Relative humidity: %65



Cutlery counter

CODE	MODEL	L	W	H	◇ m ³	PRICE
7912.07070.51	Neutral	700	700	850/1380	0.94 m ³	
7912.08070.51	Neutral	800	700	850/1380	1.06 m ³	
7912.10070.51	Neutral	1000	700	850/1380	1.3 m ³	

GN kütüpheler ayrıca sipariş edilecektir /GN containers are ordered separately

Curved glass serving shelf

CODE	MODEL	L	W	H	◇ m ³	PRICE
7897.12030.03	Neutral	1200	300	530	0.13 m ³	
7897.14030.03	Neutral	1400	300	530	0.14 m ³	
7897.15030.03	Neutral	1500	300	530	0.16 m ³	
7897.16030.03	Neutral	1600	300	530	0.17 m ³	
7897.19030.03	Neutral	1900	300	530	0.19 m ³	
7897.24030.03	Neutral	2400	300	530	0.21 m ³	

Double curved glass serving shelf

CODE	MODEL	L	W	H	◇ m ³	PRICE
7897.12030.04	Neutral	1200	300	620	0.18 m ³	
7897.14030.04	Neutral	1400	300	620	0.22 m ³	
7897.15030.04	Neutral	1500	300	620	0.23 m ³	
7897.16030.04	Neutral	1600	300	620	0.25 m ³	
7897.19030.04	Neutral	1900	300	620	0.29 m ³	
7897.24030.04	Neutral	2400	300	620	0.36 m ³	



Serving shelf

CODE	MODEL	L	W	H	◇ m ³	PRICE
7897.12030.08	Neutral	1200	300	750	0.13 m ³	
7897.14030.08	Neutral	1400	300	750	0.14 m ³	
7897.15030.08	Neutral	1500	300	750	0.16 m ³	
7897.16030.08	Neutral	1600	300	750	0.17 m ³	
7897.19030.08	Neutral	1900	300	750	0.19 m ³	
7897.24030.08	Neutral	2400	300	750	0.21 m ³	



Single upper shelf

CODE	MODEL	L	W	H	◇ m ³	PRICE
7897.12030.02	Neutral	1200	300	450	0.33 m ³	
7897.14030.02	Neutral	1400	300	450	0.38 m ³	
7897.15030.02	Neutral	1500	300	450	0.41 m ³	
7897.16030.02	Neutral	1600	300	450	0.43 m ³	
7897.19030.02	Neutral	1900	300	450	0.50 m ³	
7897.24030.02	Neutral	2400	300	450	0.64 m ³	



Tray sliding shelf

CODE	MODEL	L	W	◇ m ³	PRICE
7897.12030.05	Neutral	1200	300	0.08 m ³	
7897.14030.05	Neutral	1400	300	0.10 m ³	
7897.15030.05	Neutral	1500	300	0.11 m ³	
7897.16030.05	Neutral	1600	300	0.12 m ³	
7897.19030.05	Neutral	1900	300	0.14 m ³	
7897.24030.05	Neutral	2400	300	0.17 m ³	



Plinth for serving counter

CODE	MODEL	L	W	H	PRICE
7999.07015.80	Neutral	700	15	140	
7999.08015.80	Neutral	800	15	140	
7999.10015.80	Neutral	1000	15	140	
7999.12015.80	Neutral	1200	15	140	
7999.14015.80	Neutral	1400	15	140	
7999.15015.80	Neutral	1500	15	140	
7999.16015.80	Neutral	1600	15	140	
7999.19015.80	Neutral	1900	15	140	
7999.24015.80	Neutral	2400	15	140	