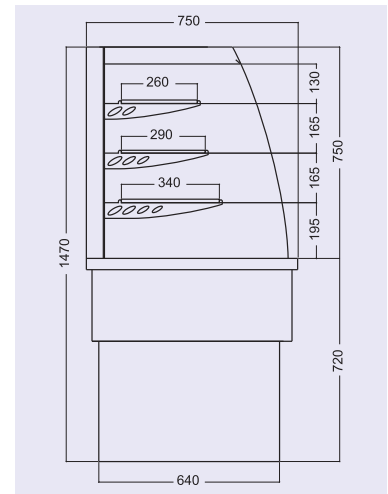




ETD-21C10
Self Service Display Unit
COLD



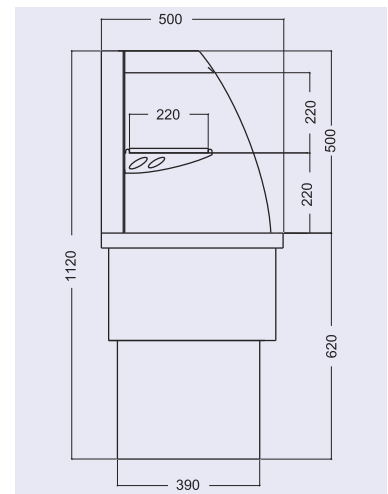
Cold

	TYPE	CODE	MODEL	L	W	H	POWER	TEMP.	WEIGHT	VOLTAGE	CAPACITY	PRICE
	ETA-21C10	7ETA.21C10.SS	ELEC	1000	750	720/1470	0.7 kW - MF	+4 / +6 °C	190 kg.	220V / 50Hz.	320 lt.	
	ETA-21C12	7ETA.21C12.SS	ELEC	1200	750	720/1470	0.7 kW - MF	+4 / +6 °C	225 kg.	220V / 50Hz.	390 lt.	
	ETA-21C15	7ETA.21C15.SS	ELEC	1500	750	720/1470	0.8 kW - MF	+4 / +6 °C	285 kg.	220V / 50Hz.	480 lt.	
	ETA-21C18	7ETA.21C18.SS	ELEC	1800	750	720/1470	0.9 kW - MF	+4 / +6 °C	340 kg.	220V / 50Hz.	580 lt.	
	ETA-21C20	7ETA.21C20.SS	ELEC	2000	750	720/1470	0.9 kW - MF	+4 / +6 °C	375 kg.	220V / 50Hz.	640 lt.	

COLD
COLD
COLD
COLD
COLD



ETA-22C06
Built-in Self Service Mini Display Unit
COLD



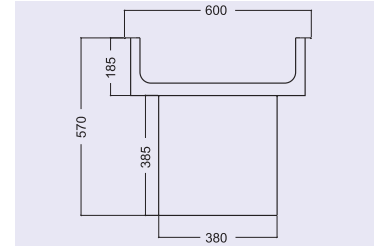
Cold

	TYPE	CODE	MODEL	L	W	H	POWER	TEMP.	WEIGHT	VOLTAGE	CAPACITY	PRICE
	ETA-22C06	7ETA.22C06.SS	ELEC	600	500	620/1120	0.75 kW - MF	+4 / +6 °C	55 kg.	220V / 50Hz.	90 lt.	
	ETA-22C09	7ETA.22C09.SS	ELEC	900	500	620/1120	0.75 kW - MF	+4 / +6 °C	75 kg.	220V / 50Hz.	140 lt.	
	ETA-22C12	7ETA.22C12.SS	ELEC	1200	500	620/1120	1.3 kW - MF	+4 / +6 °C	100 kg.	220V / 50Hz.	180 lt.	

COLD
COLD
COLD



ETA 11C3G
Built-in Cold Pool



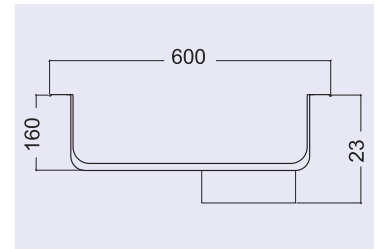
Cold

TYPE	CODE	MODEL	L	W	H	POWER	TEMP.	WEIGHT	VOLTAGE	CAPACITY	PRICE
ETA-11C3G	7ETA.11C3G.SS	ELEC	1115	600	570	0.85 kW-MF	+4 / +6 °C	35 kg.	220V. / 50Hz.	54 lt.	
ETA-11C4G	7ETA.11C4G.SS	ELEC	1440	600	570	0.85 kW-MF	+4 / +6 °C	45 kg.	220V. / 50Hz.	72 lt.	
ETA-11C5G	7ETA.11C5G.SS	ELEC	1765	600	570	0.85 kW-MF	+4 / +6 °C	57 kg.	220V. / 50Hz.	90 lt.	

COLD
COLD
COLD



ETA 11H3G
Built-in Hot Pool



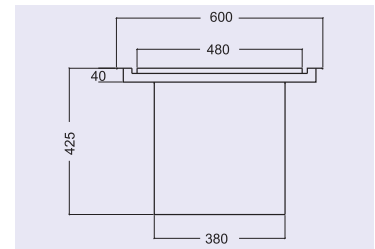
Hot

TYPE	CODE	MODEL	L	W	H	POWER	TEMP.	WEIGHT	VOLTAGE	CAPACITY	PRICE
ETA-11H3G	7ETA.11H3G.SS	ELEC	1115	600	230	2 kW-MF	+30 / +90 °C	15 kg.	220V. / 50Hz.	54 lt.	
ETA-11H4G	7ETA.11H4G.SS	ELEC	1440	600	230	2 kW-MF	+30 / +90 °C	19 kg.	220V. / 50Hz.	72 lt.	
ETA-11H5G	7ETA.11H5G.SS	ELEC	1765	600	230	3 kW-MF	+30 / +90 °C	25 kg.	220V. / 50Hz.	90 lt.	

HOT
HOT
HOT



ETA 12C3G
Built-in Cold Surface



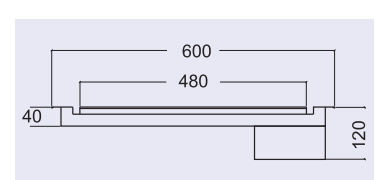
Cold

TYPE	CODE	MODEL	L	W	H	POWER	TEMP.	WEIGHT	VOLTAGE	CAPACITY	PRICE
ETA-12C3G	7ETA.12C3G.SS	ELEC	1115	600	425	0.85 kW-MF	+4 / +6 °C	32 kg.	220V. / 50Hz.	-	
ETA-12C4G	7ETA.12C4G.SS	ELEC	1440	600	425	0.85 kW-MF	+4 / +6 °C	42 kg.	220V. / 50Hz.	-	
ETA-12C5G	7ETA.12C5G.SS	ELEC	1765	600	425	0.85 kW-MF	+4 / +6 °C	52 kg.	220V. / 50Hz.	-	

COLD
COLD
COLD



ETA 12H3G
Built-in Hot Surface



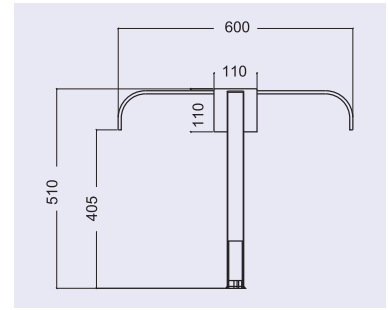
Hot

TYPE	CODE	MODEL	L	W	H	POWER	TEMP.	WEIGHT	VOLTAGE	CAPACITY	PRICE
ETA-12H3G	7ETA.12H3G.SS	ELEC	1110	600	120	2 kW-MF	+30 / +90 °C	18 kg.	220V. / 50Hz.	-	
ETA-12H4G	7ETA.12H4G.SS	ELEC	1435	600	120	2 kW-MF	+30 / +90 °C	23 kg.	220V. / 50Hz.	-	
ETA-12H5G	7ETA.12H5G.SS	ELEC	1760	600	120	3 kW-MF	+30 / +90 °C	32 kg.	220V. / 50Hz.	-	

HOT
HOT
HOT



ETX-11F12-BC
Curved Glass Sneeze Guard

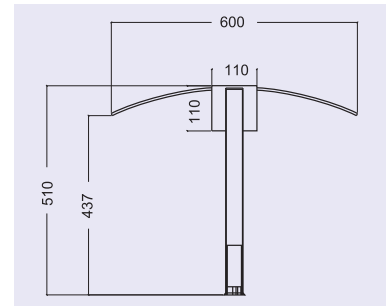


Fluorescent

	TYPE	CODE	L	W	H	POWER	TEMP.	HOLE CENTER	WEIGHT	VOLTAGE	⊠m³	PRICE
	ETX-11F12-BC	7ETX.11F12.BC	1110	600	510	0.03 kW MF	-	1035	25 kg.	220V / 50 Hz.	-	
	ETX-11F15-BC	7ETX.11F15.BC	1435	600	510	0.03 kW MF	-	1360	35 kg.	220V / 50 Hz.	-	
	ETX-11F18-BC	7ETX.11F18.BC	1760	600	510	0.04 kW MF	-	1685	42 kg.	220V / 50 Hz.	-	
Led												
	ETX-11L12-BC	7ETX.11L12.BC	1110	600	510	0.016 kW MF	-	1035	25 kg.	220V / 50 Hz.	-	
	ETX-11L15-BC	7ETX.11L15.BC	1435	600	510	0.020 kW MF	-	1360	35 kg.	220V / 50 Hz.	-	
	ETX-11L18-BC	7ETX.11L18.BC	1760	600	510	0.025 kW MF	-	1685	42 kg.	220V / 50 Hz.	-	
Halogen												
	ETX-11H12-BC	7ETX.11H12.BC	1110	600	510	1 kW MF	+30 / +60 °C	1035	26 kg.	220V / 50 Hz.	-	
	ETX-11H15-BC	7ETX.11H15.BC	1435	600	510	1 kW MF	+30 / +60 °C	1360	36 kg.	220V / 50 Hz.	-	
	ETX-11H18-BC	7ETX.11H18.BC	1760	600	510	1.5 kW MF	+30 / +60 °C	1685	44 kg.	220V / 50 Hz.	-	



ETX-11F12-YC
Bent Glass Sneeze Guard

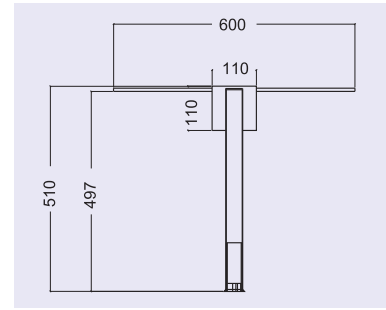


Fluorescent

	TYPE	CODE	L	W	H	POWER	TEMP.	HOLE CENTER	WEIGHT	VOLTAGE	⊠m³	PRICE
	ETX-11F12-YC	7ETX.11F12.YC	1110	600	510	0.03 kW MF	-	1035	25 kg.	220V / 50 Hz.	-	
	ETX-11F15-YC	7ETX.11F15.YC	1435	600	510	0.03 kW MF	-	1360	35 kg.	220V / 50 Hz.	-	
	ETX-11F18-YC	7ETX.11F18.YC	1760	600	510	0.04 kW MF	-	1685	42 kg.	220V / 50 Hz.	-	
Led												
	ETX-11L12-YC	7ETX.11L12.YC	1110	600	510	0.016 kW MF	-	1035	25 kg.	220V / 50 Hz.	-	
	ETX-11L15-YC	7ETX.11L15.YC	1435	600	510	0.020 kW MF	-	1360	35 kg.	220V / 50 Hz.	-	
	ETX-11L18-YC	7ETX.11L18.YC	1760	600	510	0.025 kW MF	-	1685	42 kg.	220V / 50 Hz.	-	
Halogen												
	ETX-11H12-YC	7ETX.11H12.YC	1110	600	510	1 kW MF	+30 / +60 °C	1035	26 kg.	220V / 50 Hz.	-	
	ETX-11H15-YC	7ETX.11H15.YC	1435	600	510	1 kW MF	+30 / +60 °C	1360	36 kg.	220V / 50 Hz.	-	
	ETX-11H18-YC	7ETX.11H18.YC	1760	600	510	1.5 kW MF	+30 / +60 °C	1685	44 kg.	220V / 50 Hz.	-	



ETX-11F12-DC
Flat Glass Sneeze Guard

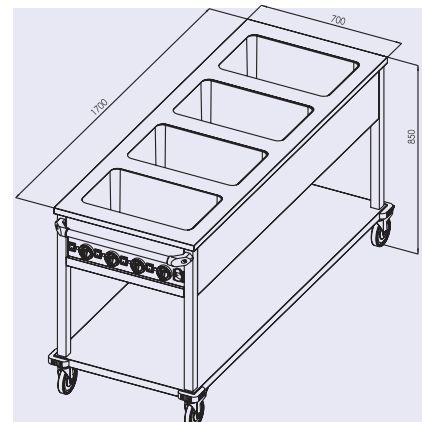
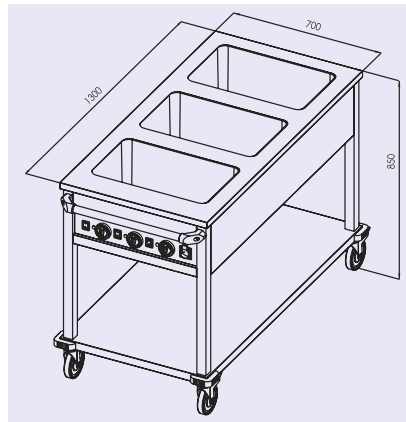
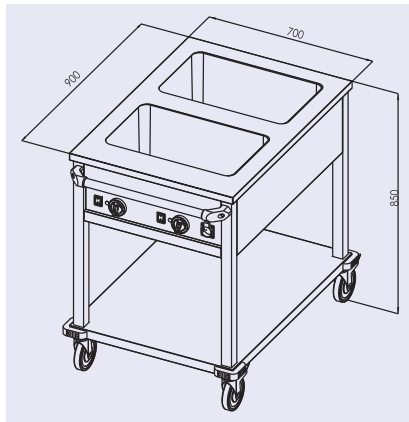


Fluorescent

	TYPE	CODE	L	W	H	POWER	TEMP.	HOLE CENTER	WEIGHT	VOLTAGE	m ³	PRICE
	ETX-11F12-DC	7ETX.11F12.DC	1110	600	510	0.03 kW MF	-	1035	25 kg.	220V. / 50Hz.	-	
	ETX-11F15-DC	7ETX.11F15.DC	1435	600	510	0.03 kW MF	-	1360	35 kg.	220V. / 50Hz.	-	
	ETX-11F18-DC	7ETX.11F18.DC	1760	600	510	0.04 kW MF	-	1685	42 kg.	220V. / 50Hz.	-	
Led												
	ETX-11L12-DC	7ETX.11L12.DC	1110	600	510	0.016 kW MF	-	1035	25 kg.	220V. / 50Hz.	-	
	ETX-11L15-DC	7ETX.11L15.DC	1435	600	510	0.020 kW MF	-	1360	35 kg.	220V. / 50Hz.	-	
	ETX-11L18-DC	7ETX.11L18.DC	1760	600	510	0.025 kW MF	-	1685	42 kg.	220V. / 50Hz.	-	
Halogen												
	ETX-11H12-DC	7ETX.11H12.DC	1110	600	510	1 kW MF	+30 / +60 °C	1035	26 kg.	220V. / 50Hz.	-	
	ETX-11H15-DC	7ETX.11H15.DC	1435	600	510	1 kW MF	+30 / +60 °C	1360	36 kg.	220V. / 50Hz.	-	
	ETX-11H18-DC	7ETX.11H18.DC	1760	600	510	1.5 kW MF	+30 / +60 °C	1685	44 kg.	220V. / 50Hz.	-	

OHBETO 2GN/3GN/4GN

Mobile Bain - Marie With Under Shelf, Front Control Panel



	TYPE	CODE	MODEL	L	W	H	POWER	CAP.	TEMP.	VOLTAGE	WEIGHT	m ³	PRICE
	OHBETY 2GN	7854.2GN11.00	ELEC	900	700	850	2 kW	2 x GN 1/1 - 150	30-90°C	220-240V./50Hz.	-	0.78 m ³	
	OHBETY 3GN	7854.3GN11.00	ELEC	1300	700	850	3 kW	3 x GN 1/1 - 150	30-90°C	220-240V./50Hz.	-	1.11 m ³	
	OHBETY 4GN	7854.4GN11.00	ELEC	1700	700	850	4 kW	4 x GN 1/1 - 150	30-90°C	220-240V./50Hz.	-	1.44 m ³	

IGN CONTAINERS ARE ORDERED SEPERATELY.

- Separately controlled GN pools.
- GN 1/1 20 to GN 1/1 150 models compatible.
- 4 swivel casters, 2 with break.
- Tray sliding shelf and upper shelf are optional

